

**NELSON
 CITY
 COUNCIL**

**TELEPHONE COMMUNICATION SERVICE
 PIT DEPTHS & CLEARANCES**

ASSET MANAGEMENT DIVISION

APPROVED 

MANAGER INFRASTRUCTURAL ASSETS

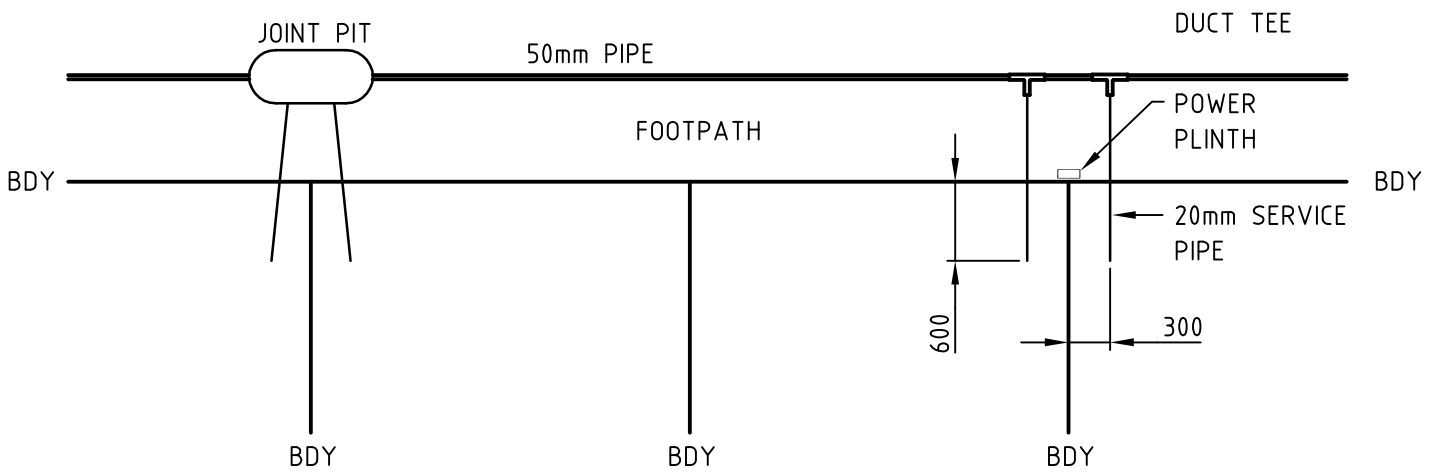
Jan. 2003

DATE

PLAN No.

21/600

SHEET 1



**NELSON
CITY
COUNCIL**

**TELEPHONE COMMUNICATION
RETICULATION LAYOUT**

ASSET MANAGEMENT DIVISION

APPROVED

.....
MANAGER INFRASTRUCTURAL ASSETS

Jan. 2003

.....
DATE

PLAN No.

21/601

SHEET 1