

NELSON CITY COUNCIL

Cable Bay Road Remediation, Contract No: EC 3424

Tender Issue

DRAWING Rev Title

GENERAL INFORMATION - SITE 28

- 870982.1028-00 A Location Plan and Drawing List
- 870982.1028-01 A Existing Site and Site Investigation Plan
- 870982.1028-02 A Working Areas & Erosion Sediment Control Plan

RETAINING WALL DESIGN - SITE 28

- 870982.1028-10 A General Arrangement
- 870982.1028-20 A Cross Section and Elevation

CULVERT UPGRADE DESIGN - SITE 28

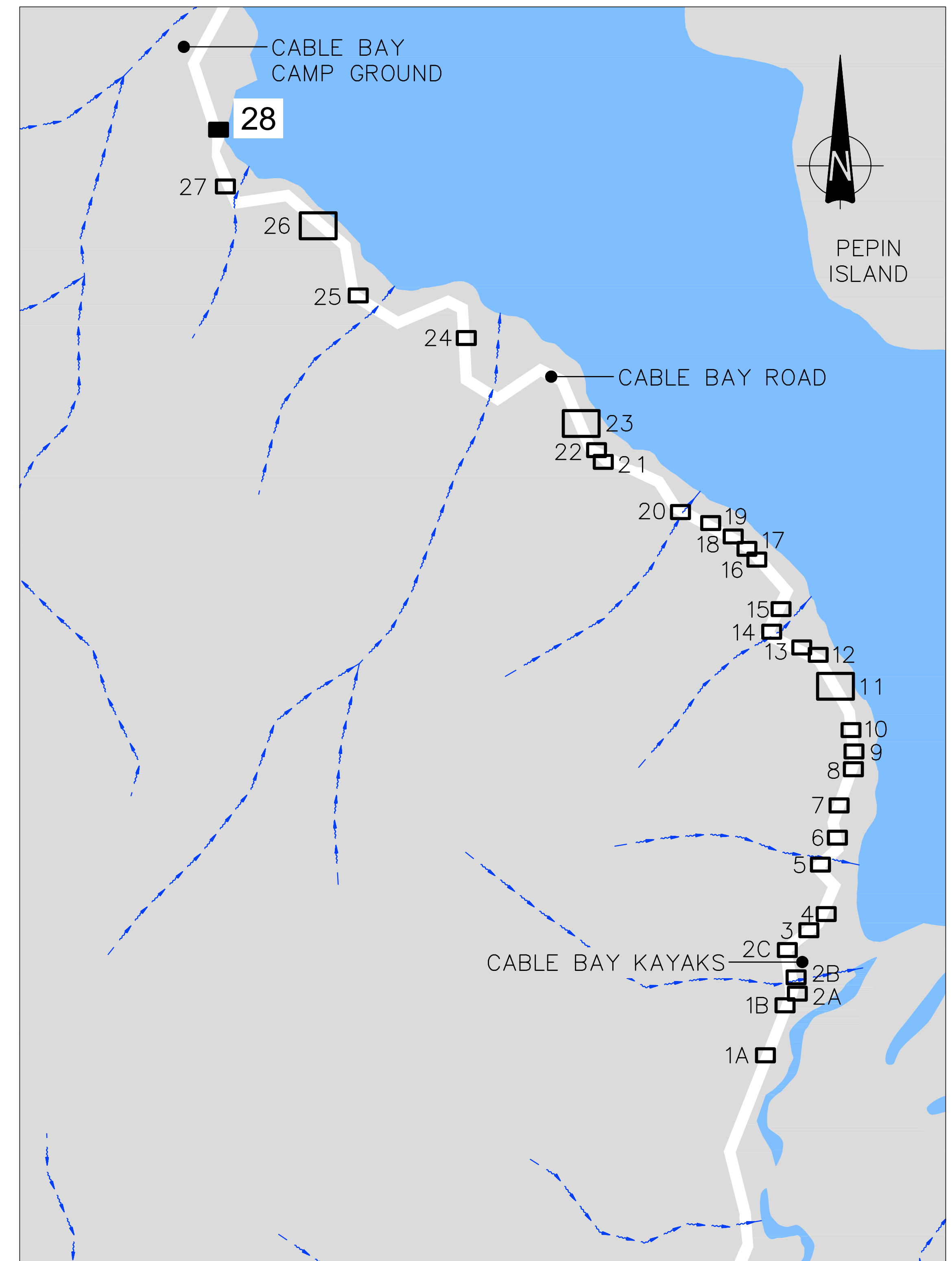
- 870982.1028-30 A General Arrangement
- 870982.1028-40 A Culvert - Section

- Denotes drawing this issue: 08/05/2013



Topomap sourced from Land Information New Zealand data (Crown Copyright Reserved).

LOCALITY MAP
SCALE 1: 100,000



SITE LOCATION PLAN
SCALE 1: 5,000

<p>Nelson City Council te kaunihera o whakatū</p> <p>NETWORK SERVICES DEPARTMENT</p>	<p>APPROVED</p> <p>EXECUTIVE MANAGER NETWORK SERVICES</p> <p>DATE: 15/4/2013</p>
	<p>NCC Plan No. 19-0076</p>

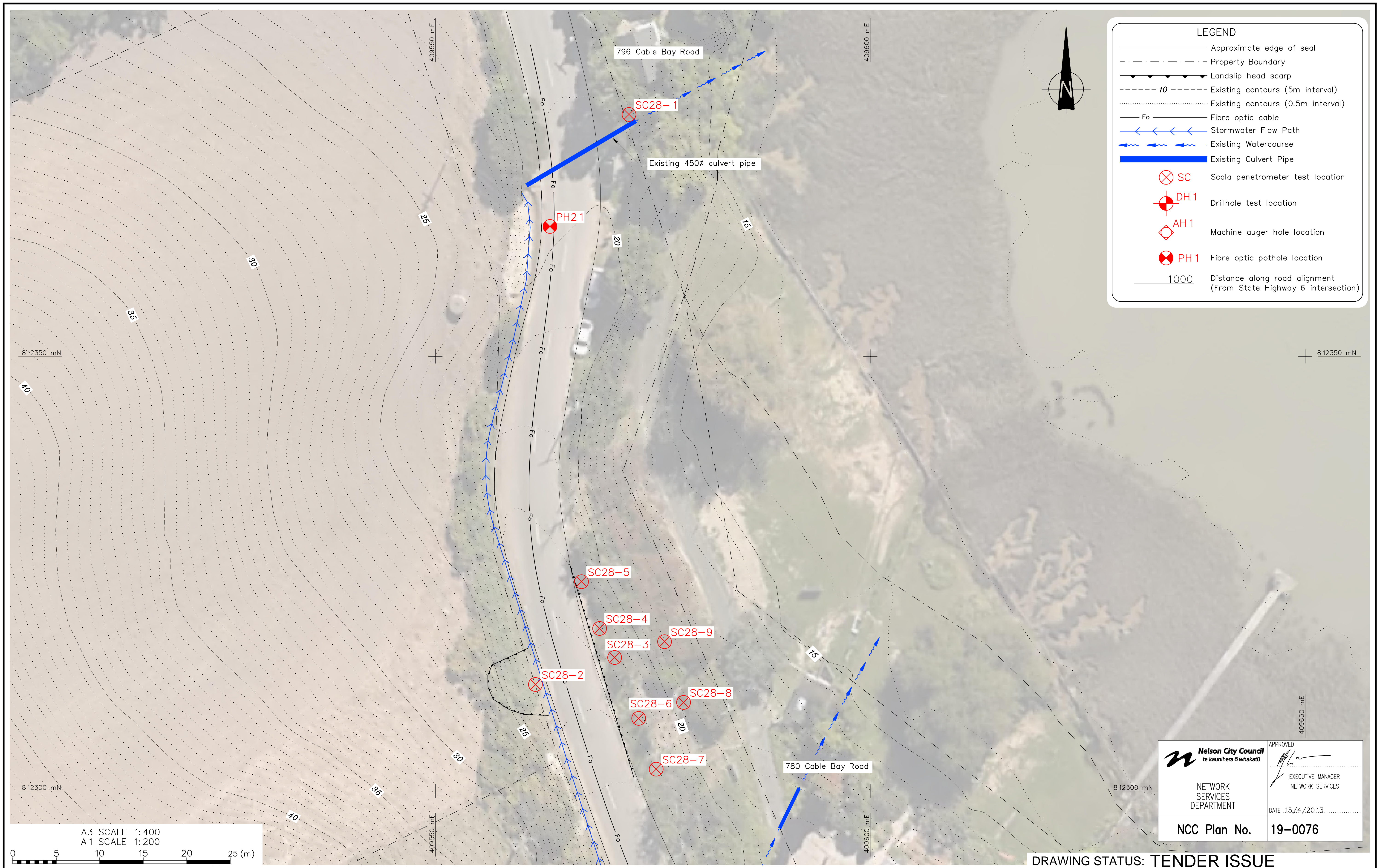
DRAWING STATUS: TENDER ISSUE

DESIGNED :	KAFK	Oct. 12	NOTES :
DRAWN :	JATG	Oct. 12	
DESIGN CHECKED :			
DRAFTING CHECKED :			
CADFILE :	\\870982.1028-00.dwg		
APPROVED :	<p>NOT FOR CONSTRUCTION</p> <p>This drawing is not to be used for construction purposes unless signed as approved</p>		REFERENCE :
REVISION DESCRIPTION	BY	DATE	
A Tender Issue			
1 Consultation Issue	MPD	Nov. 12	
COPYRIGHT ON THIS DRAWING IS RESERVED			

Tonkin & Taylor
Environmental and Engineering Consultants

43 Halifax St, Nelson
Tel. (03) 546 6339 Fax. (03) 546 7619
www.tonkin.co.nz

CLIENT, PROJECT	NELSON CITY COUNCIL CABLE BAY ROAD REMEDIATION		
TITLE	GENERAL INFORMATION – SITE 28 Location Plan and Drawing List		
SCALES (AT AT SIZE)	DWG. No.	REV.	
AS SHOWN	870982.1028-00	A	



LEGEND

- Approximate edge of seal
- Property Boundary
- Landslip head scarp
- Existing contours (5m interval)
- Existing contours (0.5m interval)
- Fibre optic cable
- Stormwater Flow Path
- Existing Watercourse
- Existing Culvert Pipe
- SC Scala penetrometer test location
- DH 1 Drillhole test location
- AH 1 Machine auger hole location
- PH 1 Fibre optic pothole location
- 1000 Distance along road alignment (From State Highway 6 intersection)

Nelson City Council
te kaunihera o whakatū

APPROVED

EXECUTIVE MANAGER
NETWORK SERVICES

NETWORK SERVICES DEPARTMENT
DATE: 15/4/2013

NCC Plan No. 19-0076

DRAWING STATUS: TENDER ISSUE

A3 SCALE 1:400
A1 SCALE 1:200

0 5 10 15 20 25 (m)

DESIGNED :	MPD	Oct. 12
DRAWN :	DJAA	Oct. 12
DESIGN CHECKED :		
DRAFTING CHECKED :		
CADFILE :	\\870982.1028-01.dwg	
APPROVED :	NOT FOR CONSTRUCTION	
This drawing is not to be used for construction purposes unless signed as approved		
REVISION DESCRIPTION	BY	DATE
1 Consultation Issue	MPD	Nov. 12

NOTES :

- Nelson Circuit (2000) coordinates. Levels to NCC Datum.
- The Contractor shall confirm the location/depth of all services prior to any excavation.
- All works shall comply with the latest version of the NCC Land Development Manual and all amendments.
- Works outside the reconstruction area shall be reinstated as per NCC Land Development Manual.
- Special care shall be taken to ensure there is no damage to fences and gardens on private property. Any damage is to be repaired promptly at the Contractor's cost.
- Property boundaries, services location and culvert location supplied by DOP Ltd.

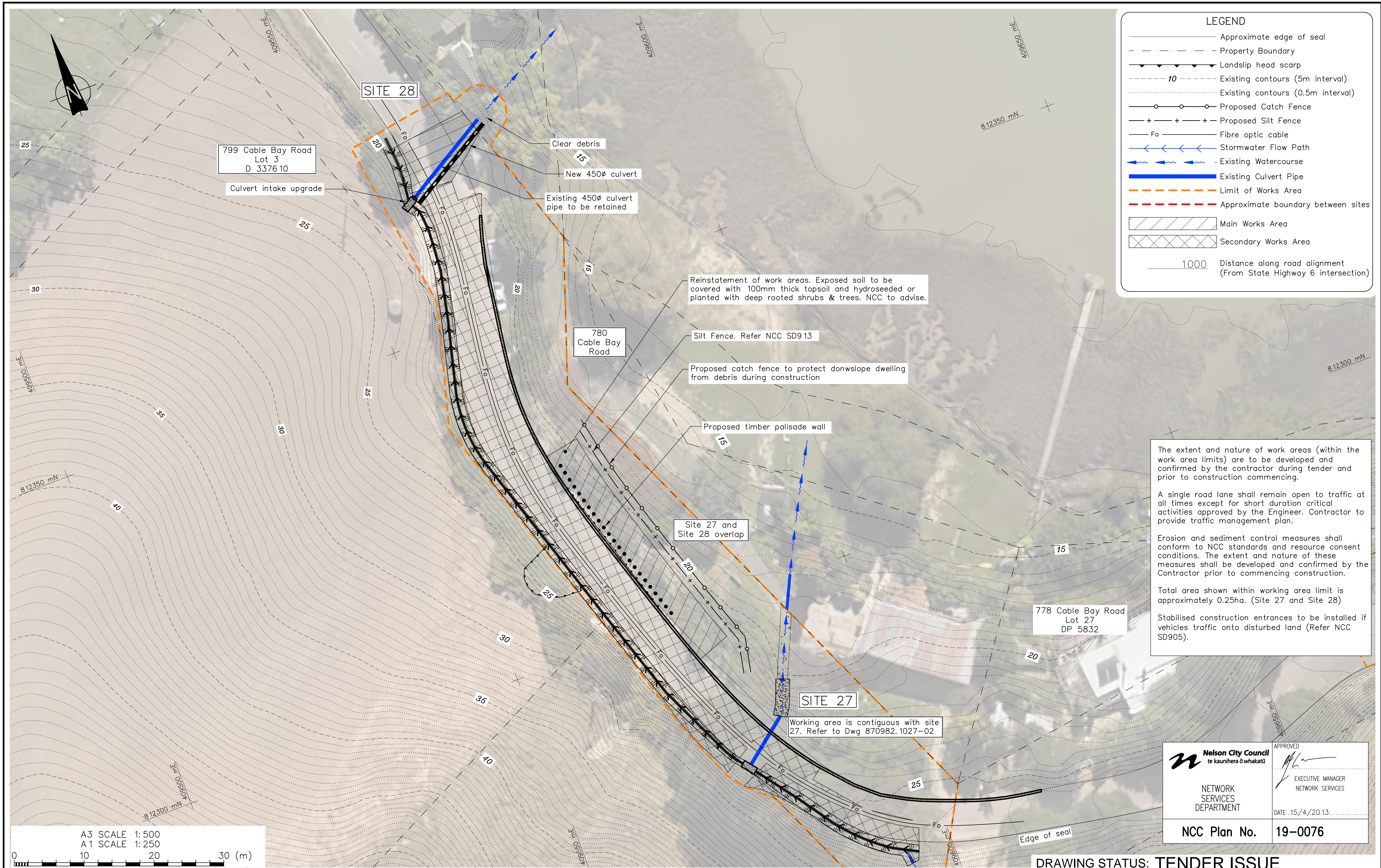
REFERENCE : LiDAR contours and aerial photos supplied by NCC.

Tonkin & Taylor
Environmental and Engineering Consultants

43 Halifax St, Nelson
Tel. (03) 546 6339 Fax. (03) 546 7619
www.tonkin.co.nz

CLIENT, PROJECT	NELSON CITY COUNCIL CABLE BAY ROAD REMEDIATION	
TITLE	GENERAL INFORMATION – SITE 28 Existing Site and Site Investigation Plan	
SCALES (AT A1 SIZE)	DWG. No.	REV.
1:200	870982.1028-01	A

P:\070982\070982_1028\WorkingFiles\CAD\070982_1028-01.dwg, 01_10/06/2013 9:53:00 am, caduser, A1: 1:1



LEGEND

- Approximate edge of seal
- - - Property Boundary
- ▲ Landslip head scarp
- - - 10 Existing contours (5m interval)
- Existing contours (0.5m interval)
- Proposed Catch Fence
- + + + Proposed Silt Fence
- Fo Fibre optic cable
- ← Stormwater Flow Path
- Existing Watercourse
- Existing Culvert Pipe
- - - Limit of Works Area
- - - Approximate boundary between sites
- ▨ Main Works Area
- ▩ Secondary Works Area
- 1000 Distance along road alignment (From State Highway 6 intersection)

The extent and nature of work areas (within the work area limits) are to be developed and confirmed by the contractor during tender and prior to construction commencing.

A single road lane shall remain open to traffic at all times except for short duration critical activities approved by the Engineer. Contractor to provide traffic management plan.

Erosion and sediment control measures shall conform to NCC standards and resource consent conditions. The extent and nature of these measures shall be developed and confirmed by the Contractor prior to commencing construction.

Total area shown within working area limit is approximately 0.25ha. (Site 27 and Site 28)

Stabilised construction entrances to be installed if vehicles traffic onto disturbed land (Refer NCC SD905).

Nelson City Council
te kaunihera o whakaiti

APPROVED

EXECUTIVE MANAGER
NETWORK SERVICES

DATE: 15/4/2013

NCC Plan No. 19-0076

A3 SCALE 1:500
A1 SCALE 1:250

0 10 20 30 (m)

DRAWING STATUS: TENDER ISSUE

DESIGNED :	MPD	Oct. 12
DRAWN :	DJAA	Oct. 12
DESIGN CHECKED :		
DRAFTING CHECKED :		
CADFILE :	\\870982.1028-02.dwg	
APPROVED :	NOT FOR CONSTRUCTION	
This drawing is not to be used for construction purposes unless signed as approved		
REVISION DESCRIPTION	BY	DATE
1 Consultation Issue	MRF	5/11/12

NOTES :

- Nelson Circuit (2000) coordinates. Levels to NCC Datum.
- The Contractor shall confirm the location/depth of all services prior to any excavation.
- All works shall comply with the latest version of the NCC Land Development Manual and all amendments.
- Works outside the reconstruction area shall be reinstated as per NCC Land Development Manual.
- Special care shall be taken to ensure there is no damage to fences and gardens on private property. Any damage is to be repaired promptly at the Contractor's cost.
- Property boundaries, services location and culvert location supplied by DOP Ltd.

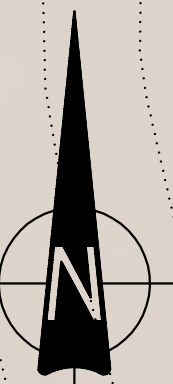
REFERENCE : LIDAR contours and aerial photos supplied by NCC.

Tonkin & Taylor
Environmental and Engineering Consultants

43 Halifax St, Nelson
Tel. (03) 546 6339 Fax. (03) 546 7619
www.tonkin.co.nz

CLIENT, PROJECT	NELSON CITY COUNCIL	
	CABLE BAY ROAD REMEDIATION	
TITLE	GENERAL INFORMATION - SITE 28	
	Working Areas & Erosion Sediment Control Plan	
SCALES (AT A1 SIZE)	DWG. No.	REV.
1:250	870982.1028-02	A

P:\870982\870982_1028\WorkingArea\CAD\870982_1028-02.dwg, 02/10/2013 9:53:40 a.m., caduser, AT: 1:1



LEGEND

- Approximate edge of seal
- - - Property Boundary
- ▲ Landslip head scarp
- - - 10 Existing contours (5m interval)
- - - Existing contours (0.5m interval)
- Fo - Fibre optic cable
- ← Stormwater Flow Path
- ~ Existing Watercourse
- Existing Culvert Pipe
- ① Setout Point
- 1000 Distance along road alignment (From State Highway 6 intersection)

SETOUT

Point	Northing	Easting
1	8 12326.49	409566.59
2	8 12301.15	409573.93



Nelson City Council
te kaunihera o whakatū

APPROVED

EXECUTIVE MANAGER
NETWORK SERVICES

DATE: 15/4/2013

NCC Plan No. 19-0076

DRAWING STATUS: TENDER ISSUE

DESIGNED :	MPD	Jan. 13
DRAWN :	DJAA	Jan. 13
DESIGN CHECKED :		
DRAFTING CHECKED :		
CADFILE :	\\870982.1028-10.dwg	
APPROVED :	NOT FOR CONSTRUCTION	
This drawing is not to be used for construction purposes unless signed as approved		
REVISION DESCRIPTION	BY	DATE
1 Consultation Issue	MPD	Nov. 12

NOTES :

- Nelson Circuit (2000) coordinates. Levels to NCC Datum.
- The Contractor shall confirm the location/depth of all services prior to any excavation.
- All works shall comply with the latest version of the NCC Land Development Manual and all amendments.
- Works outside the reconstruction area shall be reinstated as per NCC Land Development Manual.
- Special care shall be taken to ensure there is no damage to fences and gardens on private property. Any damage is to be repaired promptly at the Contractor's cost.
- Property boundaries, services location and culvert location supplied by DOP Ltd.

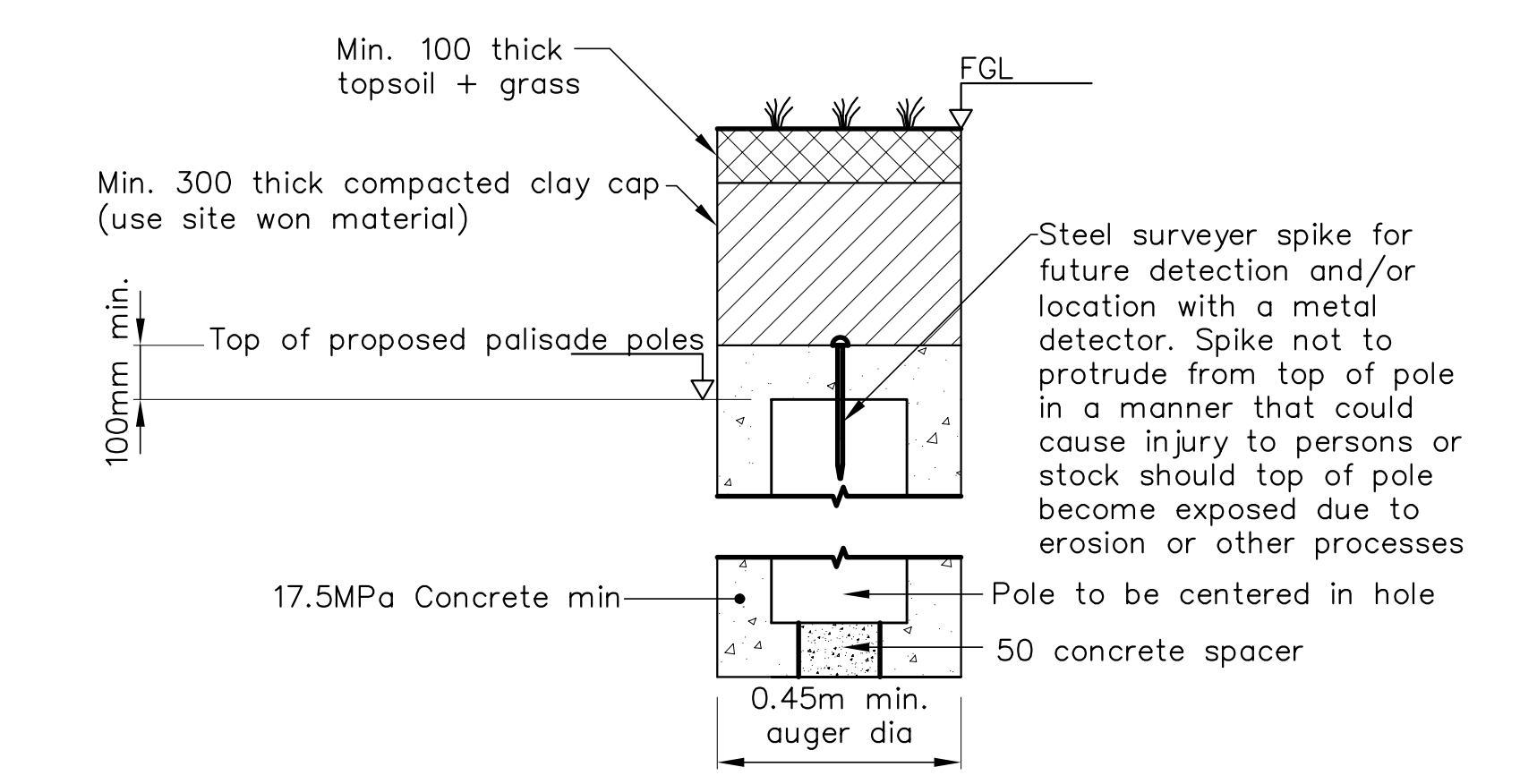
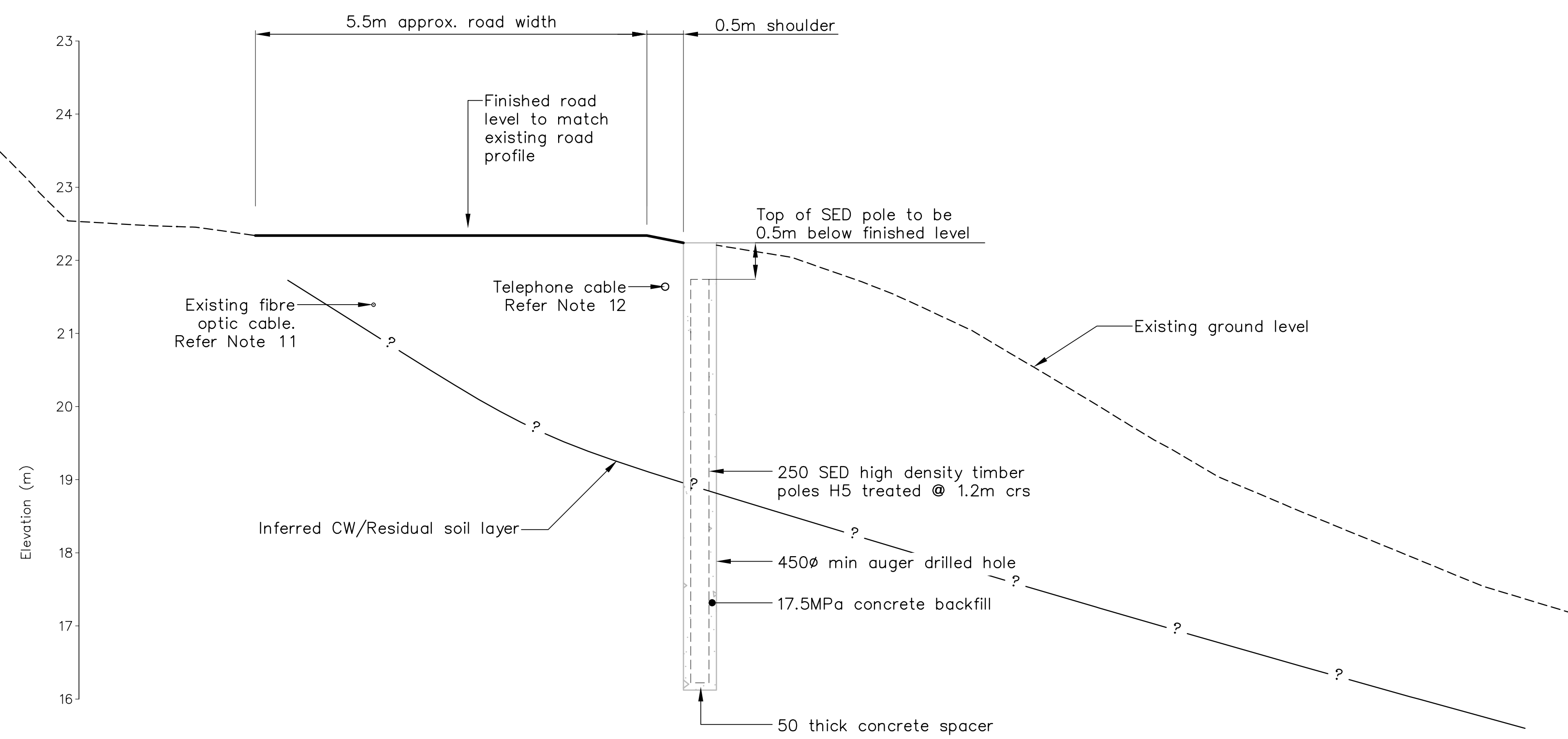
REFERENCE : LiDAR contours and aerial photos supplied by NCC.

Tonkin & Taylor
Environmental and Engineering Consultants

43 Halifax St, Nelson
Tel. (03) 546 6339 Fax. (03) 546 7619
www.tonkin.co.nz

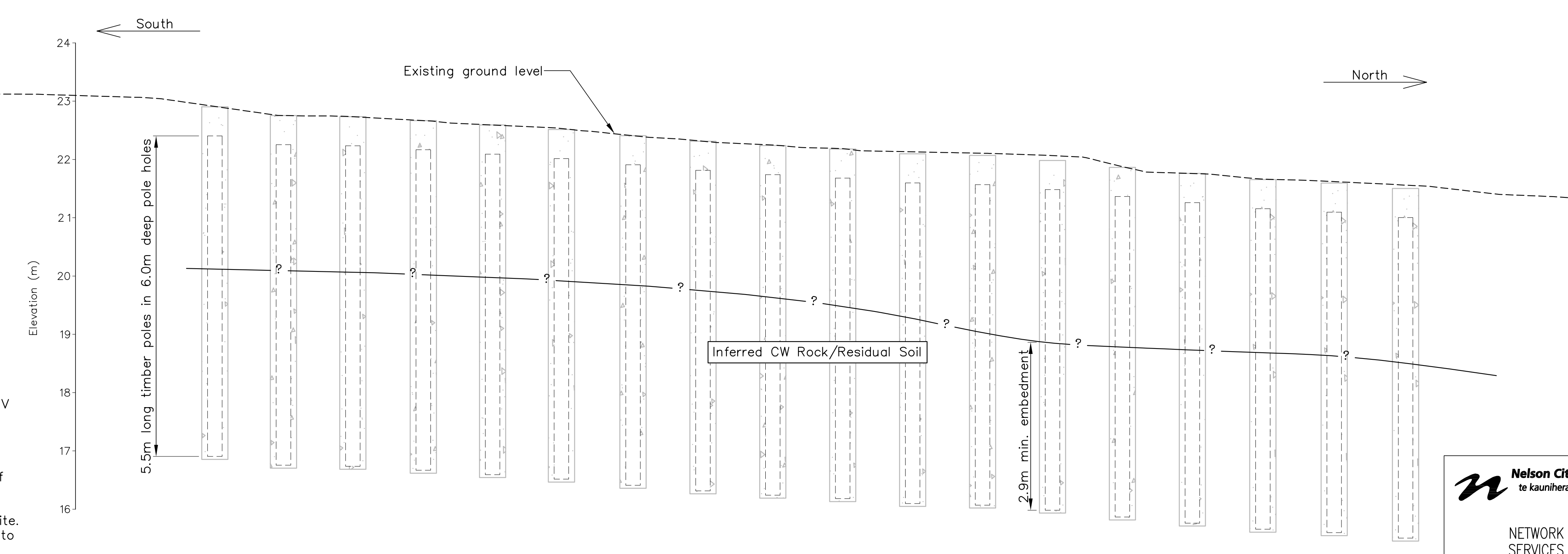
CLIENT, PROJECT	NELSON CITY COUNCIL	
	CABLE BAY ROAD REMEDIATION	
TITLE	RETAINING WALL DESIGN – SITE 28	
	General Arrangement	
SCALES (AT A1 SIZE)	DWG. No.	REV.
1: 100	870982.1028-10	A

P:\070982\070982_1028\WorkingFiles\CAD\070982_1028-10.dwg, 10/06/2013 9:54:43 a.m., caduser, AT: 1:1



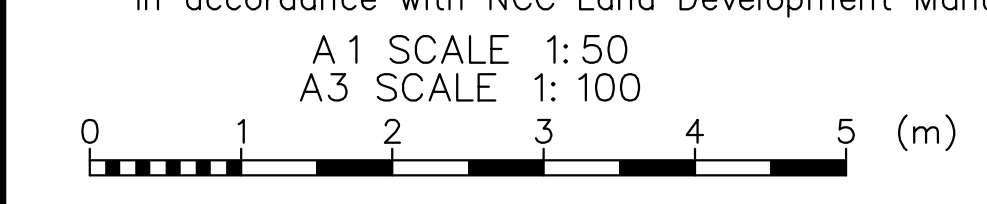
DETAIL **A** TYPICAL PALISADE WALL
SCALE 1:12.5

SECTION **1**
SCALE 1:50



SITE 28 - FRONT ELEVATION
SCALE 1:50

- NOTES (cont):
- No soil to be stockpiled on site during periods of wet weather
 - No soil to be stockpiled overnight on slopes steeper than 2H:1V
 - Pile embedment to be confirmed on site by the Engineer
 - The termination of the retaining structures to be agreed with Engineer on site prior to construction
 - Prior to commencement of site works. The Contractor shall provide a method statement detailing their proposed method of construction to ensure the fibre optic cable is to be protected at all times. The method statement is to be approved by the Engineer and Chorus prior to commencement of work on the site.
 - Existing telephone cable to be relocated by others, Contractor to lay 100 ID uPVC duct 600 below finished road level. Telephone cable to be installed by others. Trench backfill to be carried out in accordance with NCC Land Development Manual.



<p>Nelson City Council te kaunihera o whakatū</p> <p>NETWORK SERVICES DEPARTMENT</p>	<p>APPROVED</p> <p>EXECUTIVE MANAGER NETWORK SERVICES</p>
	<p>DATE: 15/4/2013</p>
<p>NCC Plan No. 19-0076</p>	

DRAWING STATUS: TENDER ISSUE

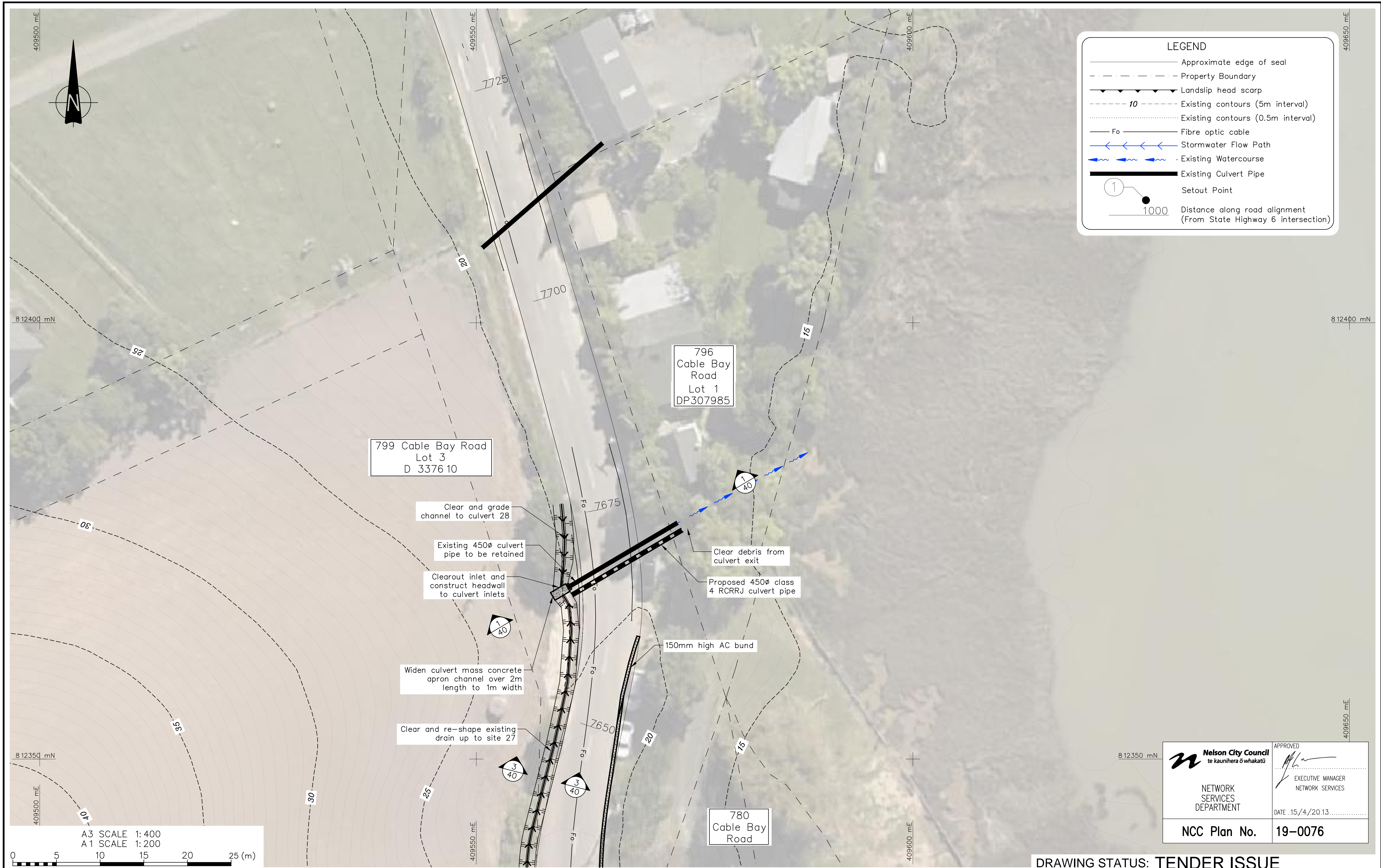
DESIGNED :	DJA	Jan. 13	<p>NOTES :</p> <ol style="list-style-type: none"> All dimensions are in millimetres unless noted otherwise Contractor to set out wall as per coordinates shown on sheet 10, Engineer and Client to verify wall location prior to commencement of augering of pole holes. All cut faces of poles and lagging shall be coated with two layers of Enselve preservative paint or Engineer-approved similar. Contractor is fully responsible for the location of all services prior to commencement of works. Contractor to provide As-Built Drawings and PS3 on completion of works. All works are to be inspected and approved by the Engineer <p>REFERENCE :</p>
DRAWN :	AMC	Jan. 13	
DESIGN CHECKED :			
DRAFTING CHECKED :			
CADFILE :	\\870982.1028-20.dwg		
APPROVED :	<p>NOT FOR CONSTRUCTION</p> <p>This drawing is not to be used for construction purposes unless signed as approved</p>		
REVISION DESCRIPTION	BY	DATE	
1 Consultation Issue	MPD	Nov. 12	

Tonkin & Taylor
Environmental and Engineering Consultants

43 Halifax St, Nelson
Tel. (03) 546 6339 Fax. (03) 546 7619
www.tonkin.co.nz

CLIENT, PROJECT	NELSON CITY COUNCIL	
	CABLE BAY ROAD REMEDIATION	
TITLE	RETAINING WALL DESIGN - SITE 28	
	Cross Section and Elevation	
SCALES (AT A1 SIZE)	AS SHOWN	DWG. No. 870982.1028-20
REV.		A

P:\070982\070982_1028\WorkingFiles\CAD\070982_1028-20.dwg, 20/10/2013 9:55:35 am, caduser, A1: 1:1



LEGEND	
	Approximate edge of seal
	Property Boundary
	Landslip head scarp
	Existing contours (5m interval)
	Existing contours (0.5m interval)
	Fibre optic cable
	Stormwater Flow Path
	Existing Watercourse
	Existing Culvert Pipe
	Setout Point
	Distance along road alignment (From State Highway 6 intersection)

A3 SCALE 1:400
 A1 SCALE 1:200

 NETWORK SERVICES DEPARTMENT	APPROVED EXECUTIVE MANAGER NETWORK SERVICES
	DATE: 15/4/2013
NCC Plan No. 19-0076	

DRAWING STATUS: TENDER ISSUE

DESIGNED :	NML	Oct. 12
DRAWN :	JATG	Oct. 12
DESIGN CHECKED :		
DRAFTING CHECKED :		
CADFILE :	\\870982.1028-30.dwg	
APPROVED :	NOT FOR CONSTRUCTION	
This drawing is not to be used for construction purposes unless signed as approved		
REVISION DESCRIPTION	BY	DATE
1 Consultation Issue	MPD	Nov. 12

NOTES :

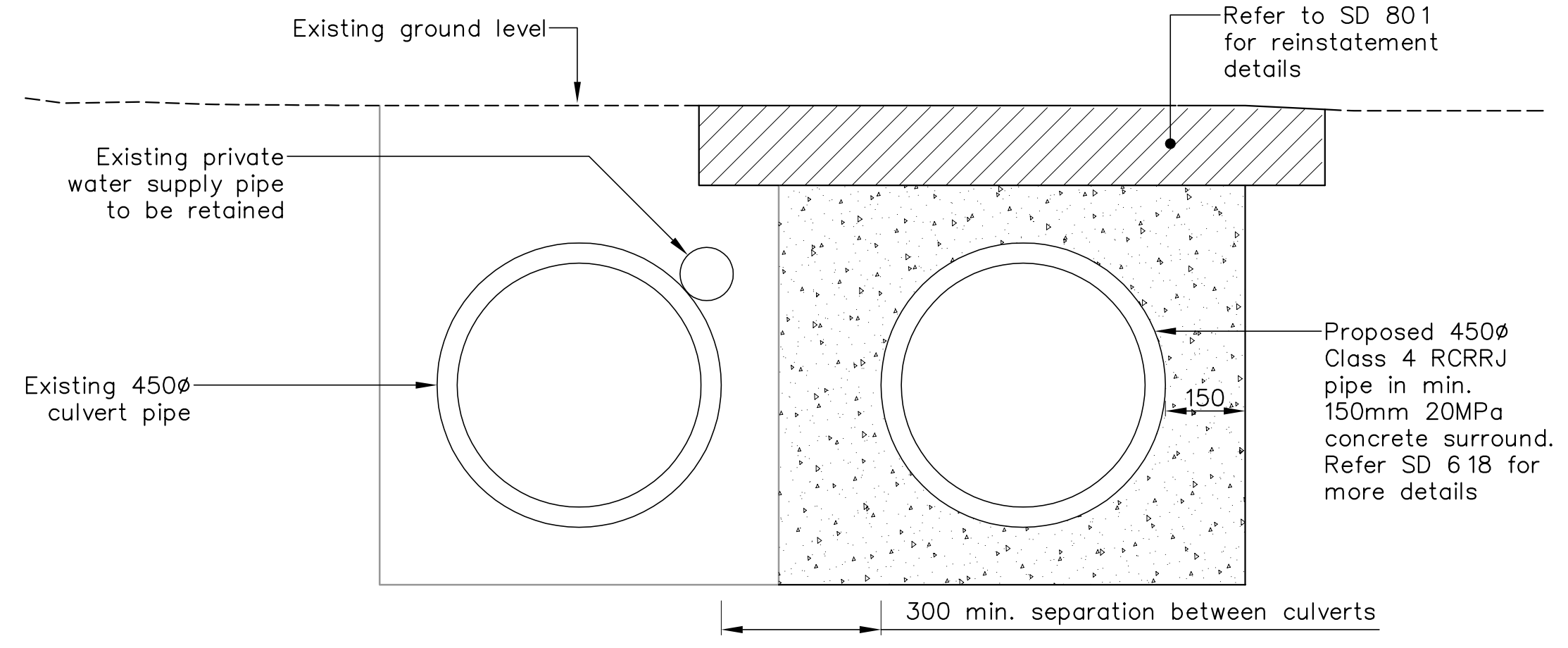
- Nelson Circuit (2000) coordinates. Levels to NCC Datum.
- The Contractor shall confirm the location/depth of all services prior to any excavation.
- All works shall comply with the latest version of the NCC Land Development Manual and all amendments.
- Works outside the reconstruction area shall be reinstated as per NCC Land Development Manual.
- Special care shall be taken to ensure there is no damage to fences and gardens on private property. Any damage is to be repaired promptly at the Contractor's cost.
- Property boundaries, services location and culvert location supplied by DOP Ltd.

REFERENCE : LiDAR contours and aerial photos supplied by NCC.

Tonkin & Taylor
 Environmental and Engineering Consultants

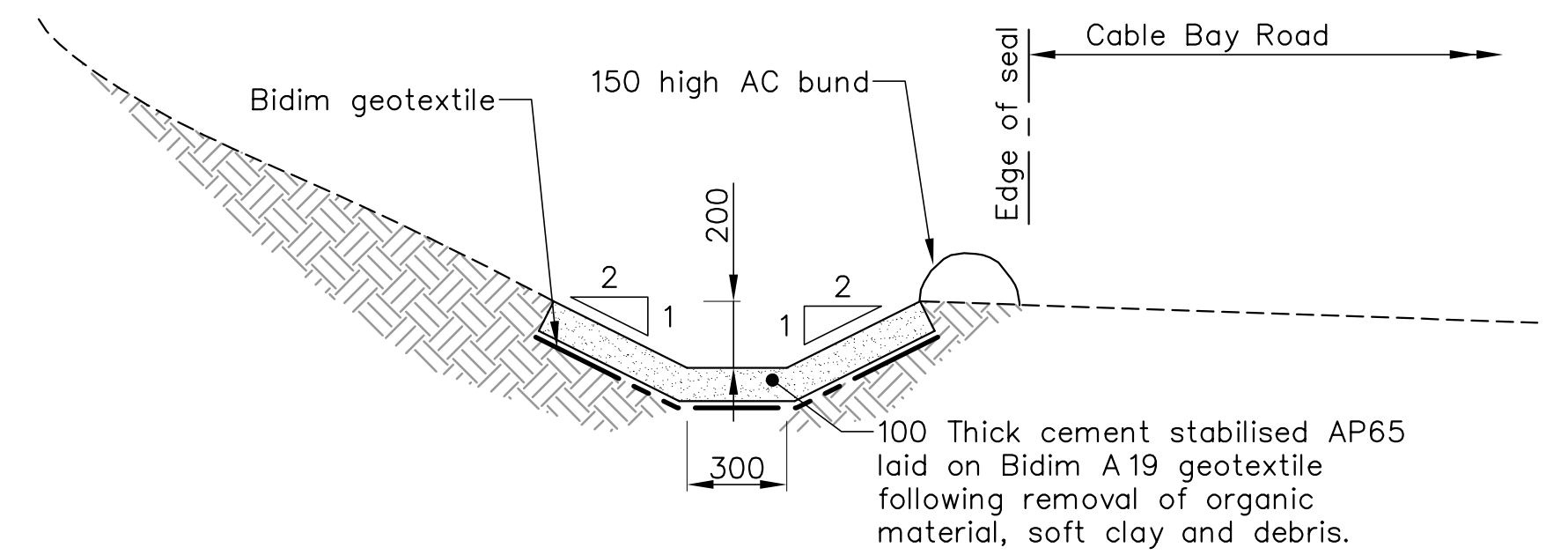
43 Halifax St, Nelson
 Tel. (03) 546 6339 Fax. (03) 546 7619
 www.tonkin.co.nz

CLIENT, PROJECT	NELSON CITY COUNCIL	
TITLE	CABLE BAY ROAD REMEDIATION	
	CULVERT UPGRADE – SITE 28	
	General Arrangement	
SCALES (AT A1 SIZE)	DWG. No.	REV.
1:200	870982.1028-30	A



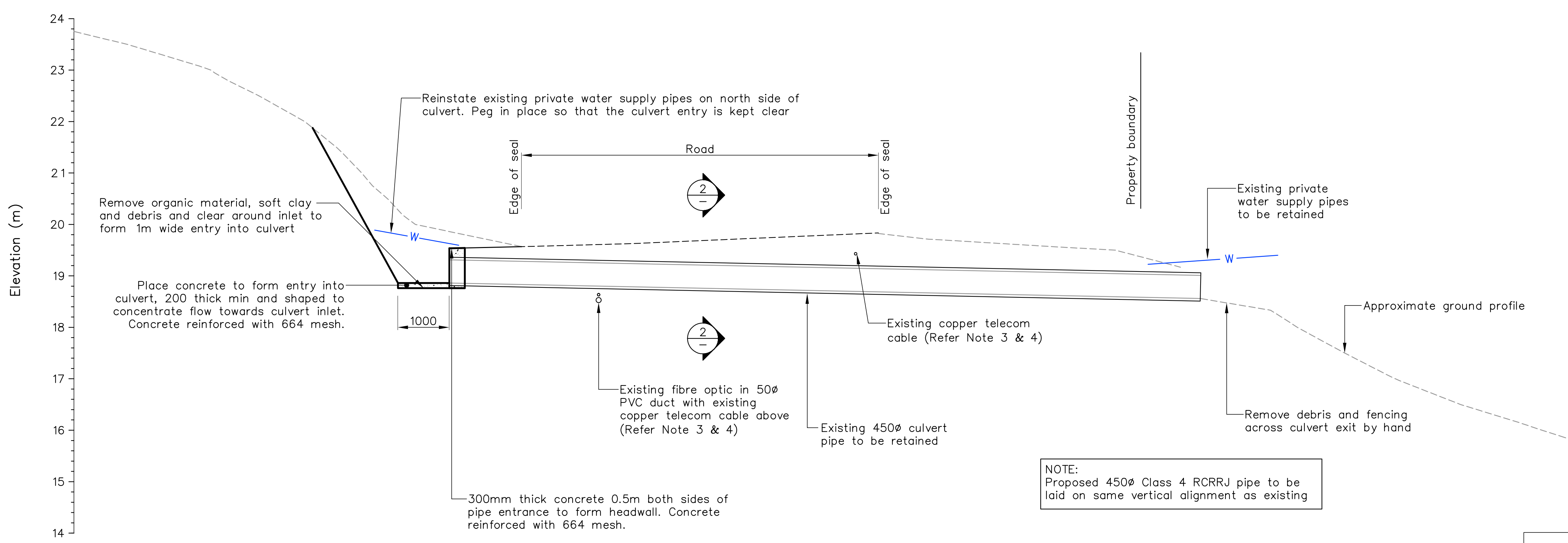
SECTION 2
SCALE 1:10

NOTE: Existing fibre optic and copper telecom cable to be ducted through or under concrete surround. Refer Note 4.



SECTION 3
SCALE 1:20

NOTE: Final dimensions of channel to be as instructed on site by Engineer



SECTION 1
SCALE 1:50

NOTE: Proposed 450mm Class 4 RCRRJ pipe to be laid on same vertical alignment as existing

NOTES CONTINUED:
4. Prior to commencing any excavation work the Contractor shall provide a method statement detailing their proposed method of construction to ensure the fibre optic cable is to be protected at all times. The method statement is to be approved by the Engineer and Transfield prior to commencement of work on the site.

<p>Nelson City Council te kaunihera o whakatū</p> <p>NETWORK SERVICES DEPARTMENT</p>	<p>APPROVED</p> <p>EXECUTIVE MANAGER NETWORK SERVICES</p>
	<p>DATE: 15/4/2013</p>
<p>NCC Plan No. 19-0076</p>	

DRAWING STATUS: TENDER ISSUE

DESIGNED :	KAFK	Feb. 13
DRAWN :	JATG	Feb. 13
DESIGN CHECKED :		
DRAFTING CHECKED :		
CADFILE :	\\870982.1028-40.dwg	
APPROVED :	NOT FOR CONSTRUCTION	
This drawing is not to be used for construction purposes unless signed as approved		
REVISION DESCRIPTION	BY	DATE
1 Consultation Issue	MPD	Nov. 12

NOTES :

- All dimensions are in millimetres unless noted otherwise.
- Provide 100mm clearance above existing fibre optic and telecom cable. Levels on new culvert to be confirmed on site with Engineers approval to achieve sufficient clearance to the fibre optic.
- Services and service locations shown on this plan are indicative only. Other services may be present but not shown on this plan. The Contractor shall be responsible for notifying, locating, protecting and relocating all services on the site.

REFERENCE :

Tonkin & Taylor
Environmental and Engineering Consultants

43 Halifax St, Nelson
Tel. (03) 546 6339 Fax. (03) 546 7619
www.tonkin.co.nz

CLIENT, PROJECT	NELSON CITY COUNCIL CABLE BAY ROAD REMEDIATION	
TITLE	CULVERT UPGRADE – SITE 28 Culvert Section	
SCALES (AT A1 SIZE)	DWG. No.	REV.
AS SHOWN	870982.1028-40	A

P:\070982\070982_1028\WorkingFiles\CAD\070982_1028-40.dwg, 40_10/02/2013 9:55:46 a.m., caduser, A1: 1:1