

# NELSON CITY COUNCIL

## Cable Bay Road Remediation, Contract No: EC 3424

### Tender Issue

DRAWING Rev Title

#### GENERAL INFORMATION - SITE 17

- 870982.1017-00 A Location Plan and Drawing List
- 870982.1017-01 A Existing Site and Site Investigation Plan
- 870982.1017-02 A Working Area and Erosion Sediment Control Plan

#### RETAINING WALL DESIGN - SITE 17

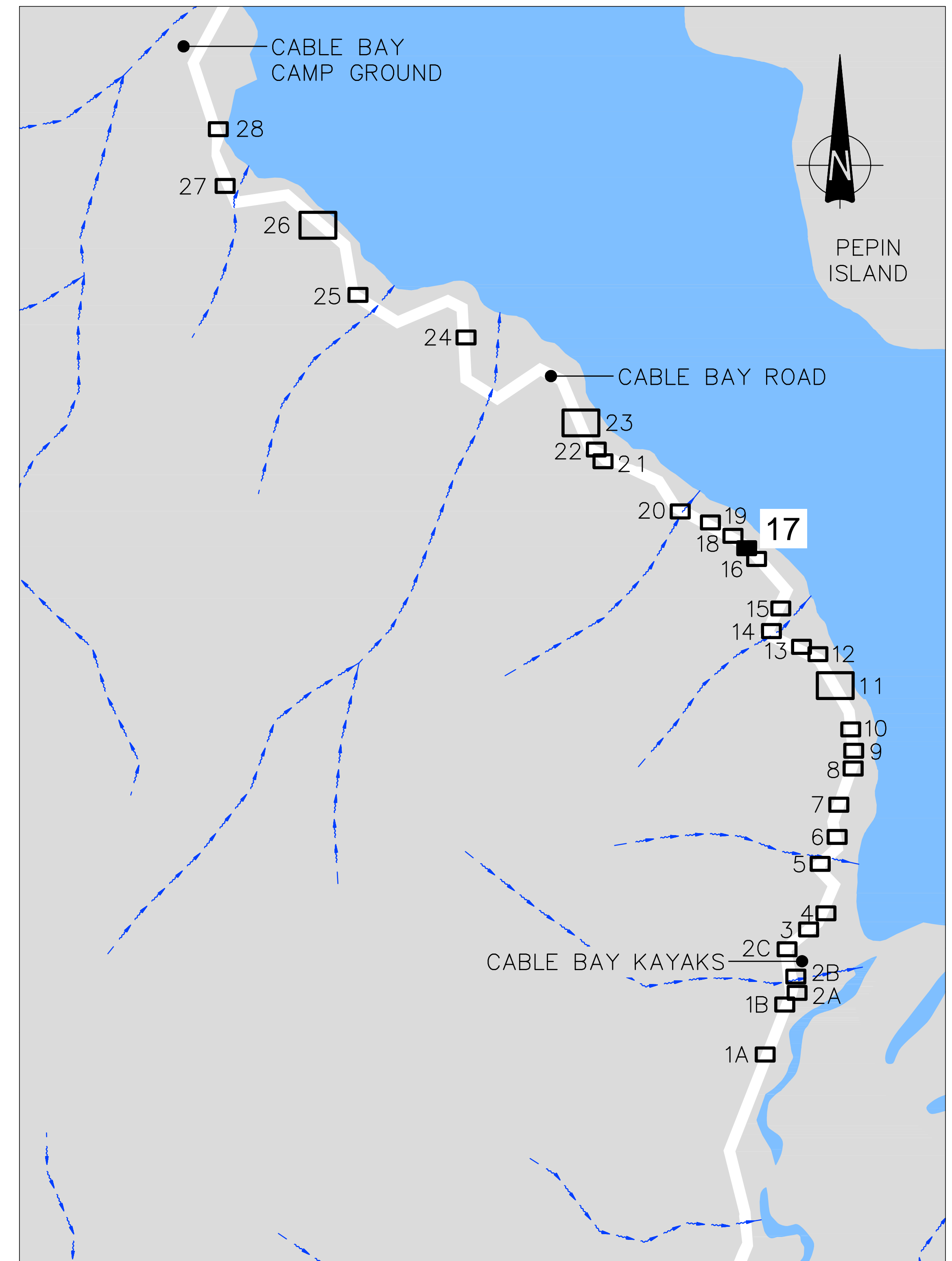
- 870982.1017-10 A General Arrangement
- 870982.1017-20 A Section and Elevation

- Denotes drawing this issue: 08/05/2013



Topomap sourced from Land Information New Zealand data (Crown Copyright Reserved).

**LOCALITY MAP**  
SCALE 1: 100,000



**SITE LOCATION PLAN**  
SCALE 1:5,000

<p><b>Nelson City Council</b> te kaunihera o whakatū</p> <p>NETWORK SERVICES DEPARTMENT</p>	<p>APPROVED</p> <p>EXECUTIVE MANAGER NETWORK SERVICES</p>
	<p>DATE: 15/4/20.13</p>
<p><b>NCC Plan No. 19-0076</b></p>	

**DRAWING STATUS: TENDER ISSUE**

DESIGNED :	DJA	Jul. 12
DRAWN :	DWM	Jul. 12
DESIGN CHECKED :		
DRAFTING CHECKED :		
CADFILE :	\\870982.1017-00.dwg	
APPROVED :	<b>NOT FOR CONSTRUCTION</b>	
<p>This drawing is not to be used for construction purposes unless signed as approved</p>		
REVISION DESCRIPTION	BY	DATE
1 Consultation Issue	MPD	Nov. 12

NOTES :
REFERENCE :

**Tonkin & Taylor**  
Environmental and Engineering Consultants

43 Halifax St, Nelson  
Tel. (03) 546 6339 Fax. (03) 546 7619  
www.tonkin.co.nz

CLIENT, PROJECT	<b>NELSON CITY COUNCIL</b>	
TITLE	<b>CABLE BAY ROAD REMEDIATION</b>	
TITLE	GENERAL INFORMATION - SITE 17	
TITLE	Location Plan and Drawing List	
SCALES (AT A1 SIZE)	DWG. No.	REV.
AS SHOWN	870982.1017-00	A



LEGEND	
	Approximate edge of seal
	Property Boundary
	Landslip head scarp
	Existing contours (5m interval)
	Existing contours (0.5m interval)
	Fibre optic cable
	Stormwater Flow Path
	Existing Watercourse
	Existing Culvert Pipe
	SC Scala penetrometer test location
	DH 1 Drillhole test location
	AH 1 Machine auger hole location
	PH 1 Fibre optic pothole location
	1000 Distance along road alignment (From State Highway 6 intersection)

A3 SCALE 1:200  
 A1 SCALE 1:100  
 0 1 2 3 4 6 8 10 (m)

 Nelson City Council te kaunihera o whakatū NETWORK SERVICES DEPARTMENT	APPROVED  EXECUTIVE MANAGER NETWORK SERVICES
	DATE .15/4/20.13.....
<b>NCC Plan No. 19-0076</b>	

**DRAWING STATUS: TENDER ISSUE**

REVISION DESCRIPTION	BY	DATE
1 Consultation Issue	MPD	Nov.12

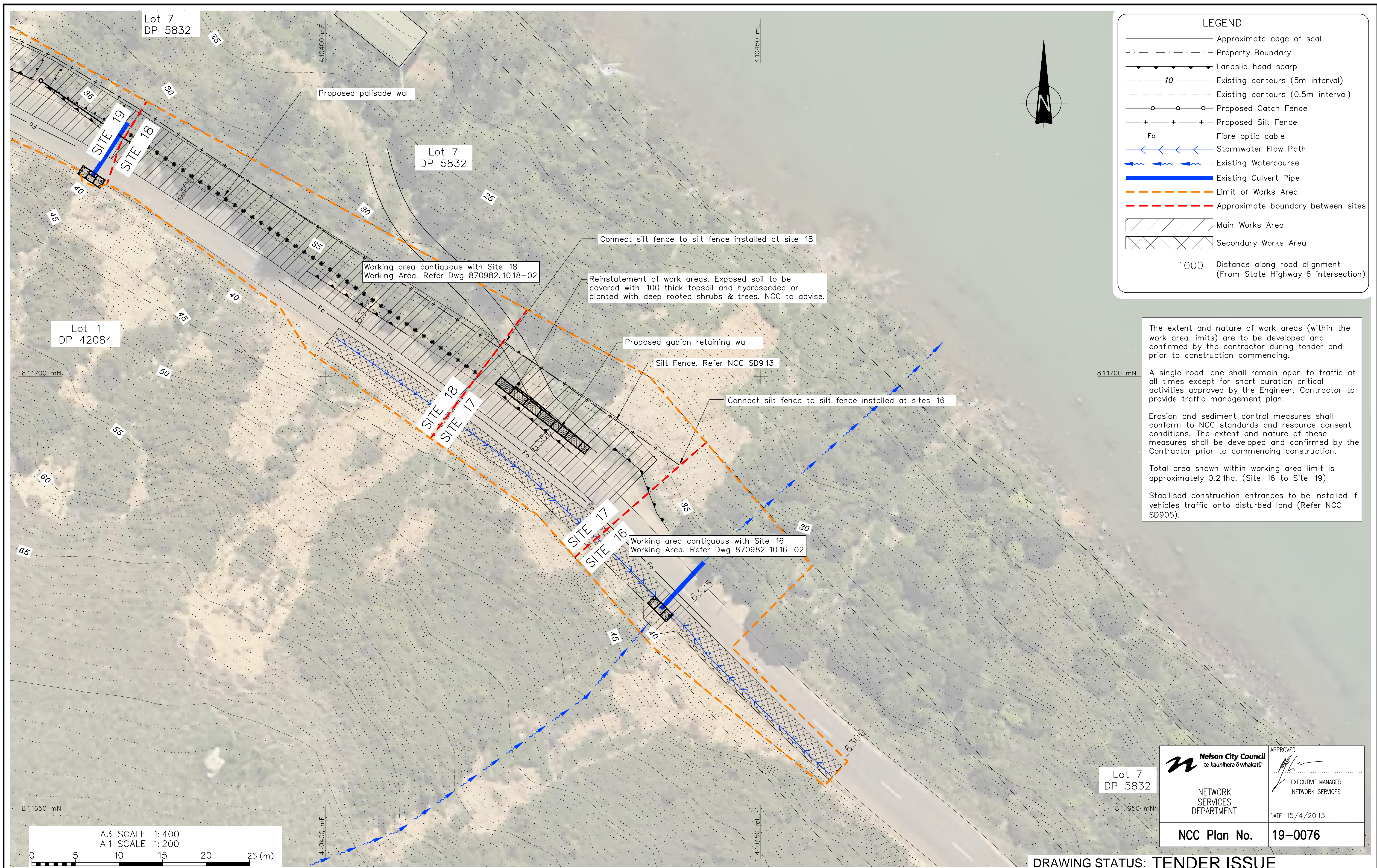
DESIGNED : MPD Jul. 12  
 DRAWN : DWM Jul. 12  
 DESIGN CHECKED :  
 DRAFTING CHECKED :  
 CADFILE : \\870982.1017-01.dwg  
 APPROVED :  
**NOT FOR CONSTRUCTION**  
 This drawing is not to be used for construction purposes unless signed as approved  
 COPYRIGHT ON THIS DRAWING IS RESERVED

NOTES :  
 1. Nelson Circuit (2000) coordinates. Levels to NCC Datum.  
 2. The Contractor shall confirm the location/depth of all services prior to any excavation.  
 3. All works shall comply with the latest version of the NCC Land Development Manual and all amendments.  
 4. Works outside the reconstruction area shall be reinstated as per NCC Land Development Manual.  
 5. Special care shall be taken to ensure there is no damage to fences and gardens on private property. Any damage is to be repaired promptly at the Contractor's cost.  
 6. Property boundaries, services location and culvert location supplied by DOP Ltd.  
 REFERENCE : LiDAR contours and aerial photos supplied by NCC.

**Tonkin & Taylor**  
 Environmental and Engineering Consultants  
 43 Halifax St, Nelson  
 Tel. (03) 546 6339 Fax. (03) 546 7619  
 www.tonkin.co.nz

CLIENT, PROJECT	<b>NELSON CITY COUNCIL</b>
	<b>CABLE BAY ROAD REMEDIATION</b>
TITLE	<b>GENERAL INFORMATION - SITE 17</b>
	<b>Existing Site and Site Investigation Plan</b>
SCALES (AT A1 SIZE)	DWG. No.
1:100	870982.1017-01
	REV. A

P:\870982\870982\_1017\Workfiles\870982\_1017-01.dwg, 01\_10/05/2013 10:40:43 a.m., caduser, AT: 1:1



**LEGEND**

- Approximate edge of seal
- - - Property Boundary
- ▲ Landslip head scarp
- - - 10 Existing contours (5m interval)
- ..... Existing contours (0.5m interval)
- Proposed Catch Fence
- + + + Proposed Silt Fence
- Fo — Fibre optic cable
- ← Stormwater Flow Path
- ~ Existing Watercourse
- Existing Culvert Pipe
- - - Limit of Works Area
- - - Approximate boundary between sites
- ▨ Main Works Area
- ▩ Secondary Works Area
- 1000 Distance along road alignment (From State Highway 6 intersection)

The extent and nature of work areas (within the work area limits) are to be developed and confirmed by the contractor during tender and prior to construction commencing.

A single road lane shall remain open to traffic at all times except for short duration critical activities approved by the Engineer. Contractor to provide traffic management plan.

Erosion and sediment control measures shall conform to NCC standards and resource consent conditions. The extent and nature of these measures shall be developed and confirmed by the Contractor prior to commencing construction.

Total area shown within working area limit is approximately 0.21ha. (Site 16 to Site 19)

Stabilised construction entrances to be installed if vehicles traffic onto disturbed land (Refer NCC SD905).

**Nelson City Council**  
te kaunihera o whakatū

APPROVED

EXECUTIVE MANAGER  
NETWORK SERVICES

DATE: 15/4/2013

**NCC Plan No. 19-0076**

**DRAWING STATUS: TENDER ISSUE**

DESIGNED :	MPD	Nov. 12
DRAWN :	DJAA	Nov. 12
DESIGN CHECKED :		
DRAFTING CHECKED :		
CADFILE :	\\870982.1017-02.dwg	
APPROVED :	<b>NOT FOR CONSTRUCTION</b>	
This drawing is not to be used for construction purposes unless signed as approved		
REVISION DESCRIPTION	BY	DATE
1 Consultation Issue	MRF	5/11/12

**NOTES :**

- Nelson Circuit (2000) coordinates. Levels to NCC Datum.
- The Contractor shall confirm the location/depth of all services prior to any excavation.
- All works shall comply with the latest version of the NCC Land Development Manual and all amendments.
- Works outside the reconstruction area shall be reinstated as per NCC Land Development Manual.
- Special care shall be taken to ensure there is no damage to fences and gardens on private property. Any damage is to be repaired promptly at the Contractor's cost.
- Property boundaries, services location and culvert location supplied by DOP Ltd.

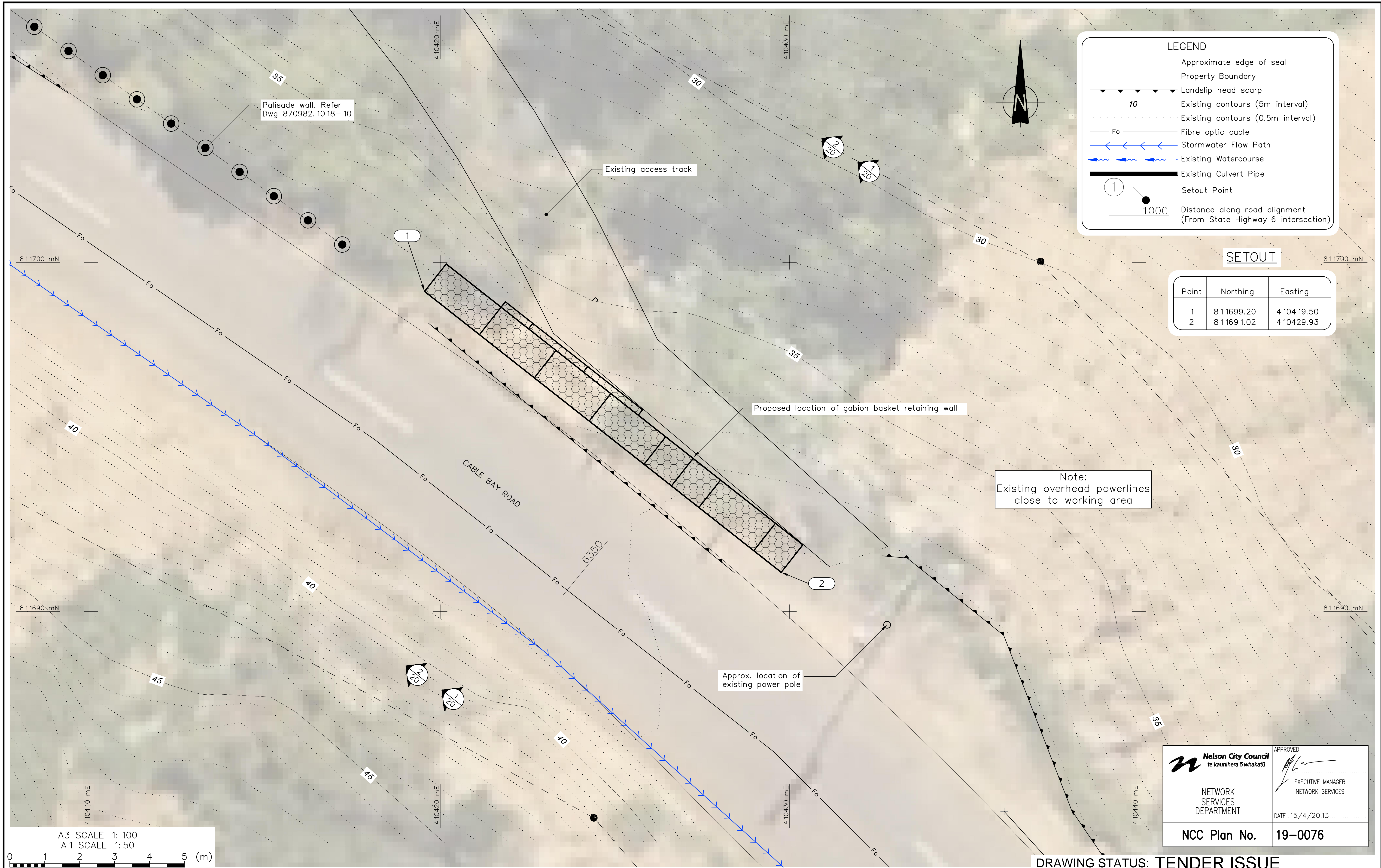
REFERENCE : LiDAR contours and aerial photos supplied by NCC.

**Tonkin & Taylor**  
Environmental and Engineering Consultants

43 Halifax St, Nelson  
Tel. (03) 546 6339 Fax. (03) 546 7619  
www.tonkin.co.nz

CLIENT, PROJECT	<b>NELSON CITY COUNCIL</b>	
	CABLE BAY ROAD REMEDIATION	
TITLE	GENERAL INFORMATION - SITE 17	
	Working Area and Erosion Sediment Control Plan	
SCALES (AT A1 SIZE)	DWG. No.	REV.
1:200	870982.1017-02	A

P:\870982\870982\_1017\WorkingArea\870982\_1017-02.dwg, 02:05/2013 10:41:00 am, caduser, AT: 1:1



**LEGEND**

- Approximate edge of seal
- - - Property Boundary
- ▲ Landslip head scarp
- - - 10 Existing contours (5m interval)
- ..... Existing contours (0.5m interval)
- Fo — Fibre optic cable
- Stormwater Flow Path
- ~ Existing Watercourse
- Existing Culvert Pipe
- ① Setout Point
- 1000 Distance along road alignment (From State Highway 6 intersection)

**SETOUT**

Point	Northing	Easting
1	8 11699.20	4 104 19.50
2	8 1169 1.02	4 10429.93

Note:  
Existing overhead powerlines  
close to working area

**Nelson City Council**  
te kauhiera o whakatū

APPROVED  
*[Signature]*  
EXECUTIVE MANAGER  
NETWORK SERVICES

DATE: 15/4/20.13

**NCC Plan No. 19-0076**

**DRAWING STATUS: TENDER ISSUE**

A3 SCALE 1: 100  
A1 SCALE 1: 50

0 1 2 3 4 5 (m)

DESIGNED :	DJA	Jul. 12
DRAWN :	DWM	Jul. 12
DESIGN CHECKED :		
DRAFTING CHECKED :		
CADFILE :	\\870982.1017-10.dwg	
APPROVED :	<b>NOT FOR CONSTRUCTION</b>	
This drawing is not to be used for construction purposes unless signed as approved		
REVISION DESCRIPTION	BY	DATE
1 Consultation Issue	MPD	Nov. 12

**NOTES :**

- Nelson Circuit (2000) coordinates. Levels to NCC Datum.
- The Contractor shall confirm the location/depth of all services prior to any excavation.
- All works shall comply with the latest version of the NCC Land Development Manual and all amendments.
- Works outside the reconstruction area shall be reinstated as per NCC Land Development Manual.
- Special care shall be taken to ensure there is no damage to fences and gardens on private property. Any damage is to be repaired promptly at the Contractor's cost.
- Property boundaries, services location and culvert location supplied by DOP Ltd.

REFERENCE : LiDAR contours and aerial photos supplied by NCC.

**Tonkin & Taylor**  
Environmental and Engineering  
Consultants

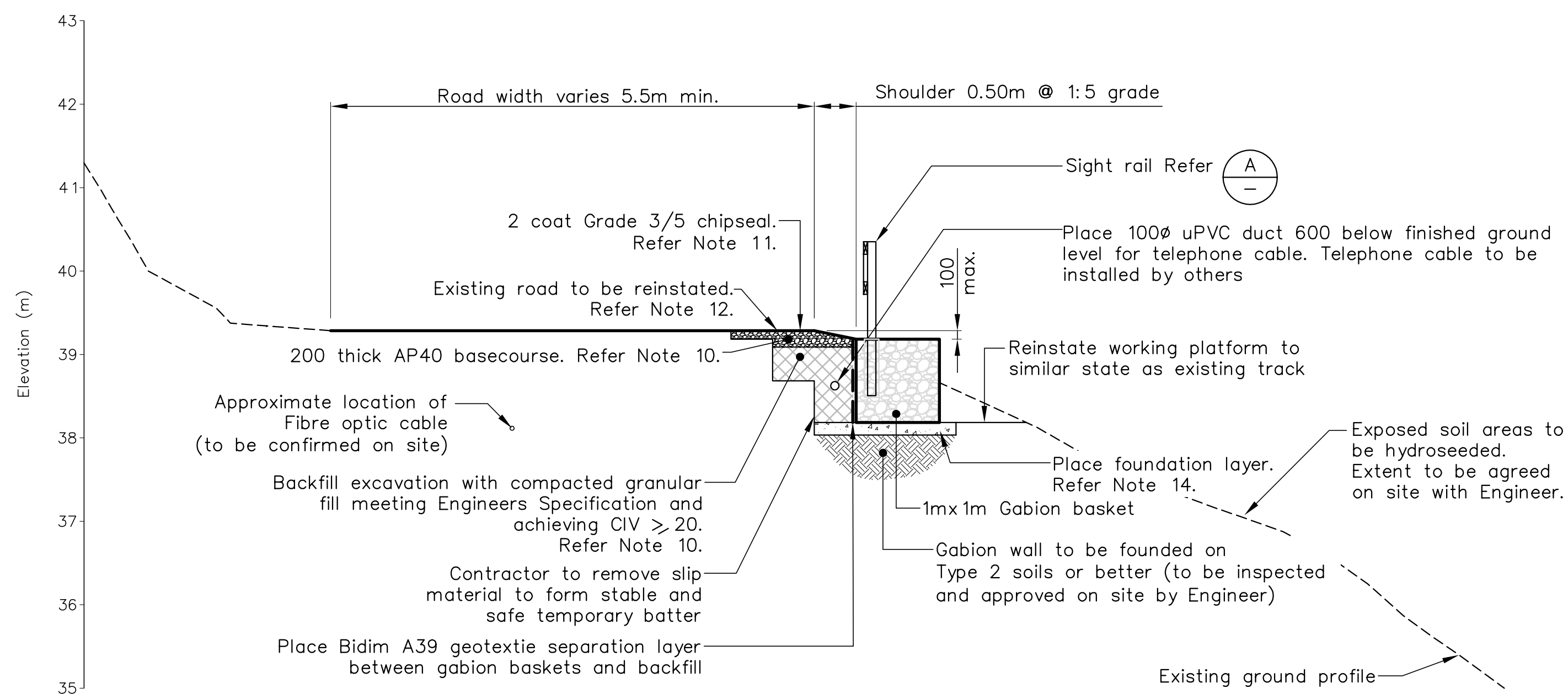
43 Halifax St, Nelson  
Tel. (03) 546 6339 Fax. (03) 546 7619  
www.tonkin.co.nz

CLIENT, PROJECT	<b>NELSON CITY COUNCIL</b> CABLE BAY ROAD REMEDIATION
TITLE	RETAINING WALL DESIGN – SITE 17 General Arrangement
SCALES (AT A1 SIZE)	1: 50
DWG. No.	870982.1017-10
REV.	A

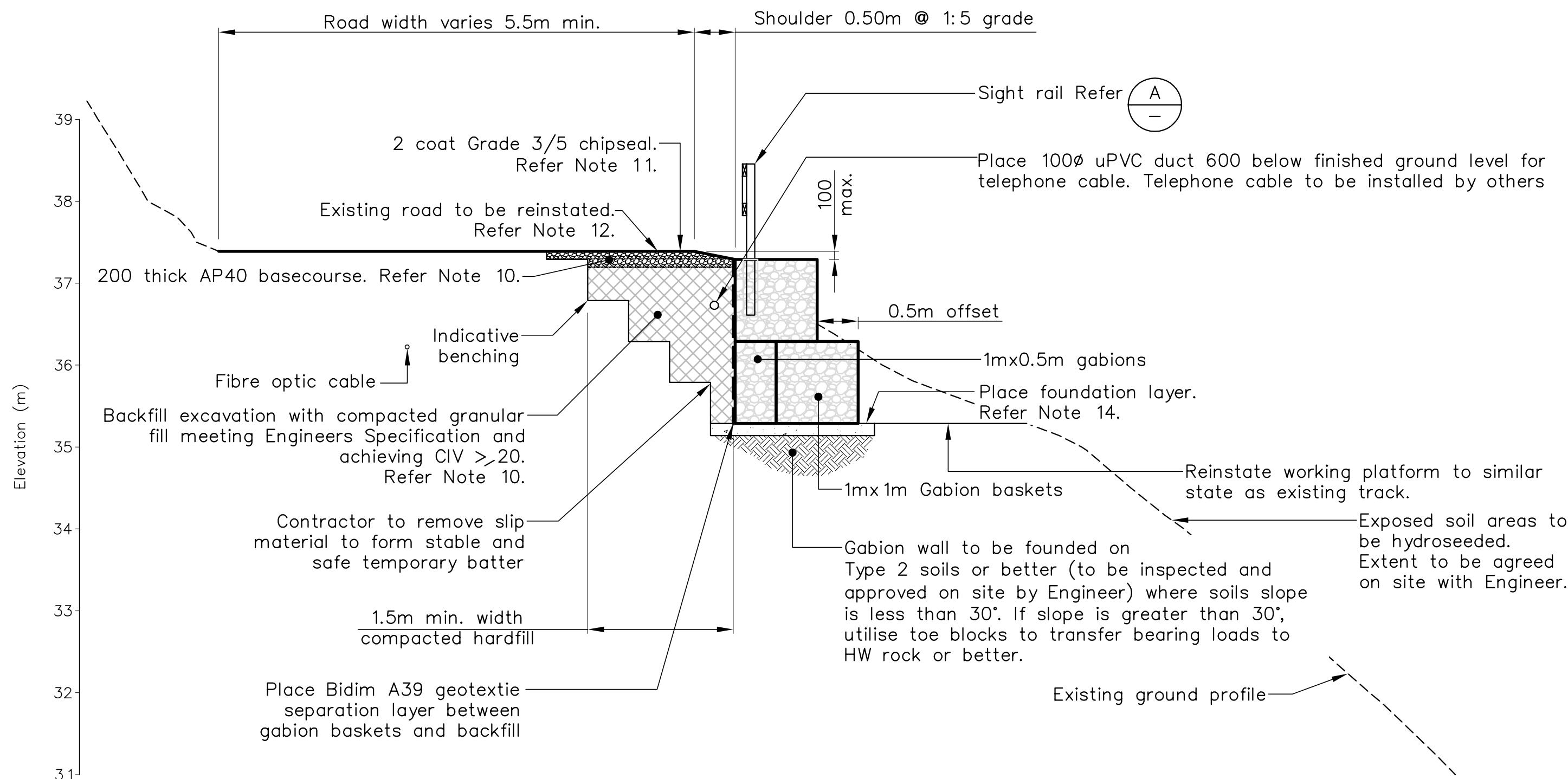
P:\870982\870982\_1017\WorkingFiles\CAD\870982\_1017-10.dwg, 10/05/2013 10:41:17 a.m., caduser, AT: 1:1

**CONSTRUCTION NOTES:**

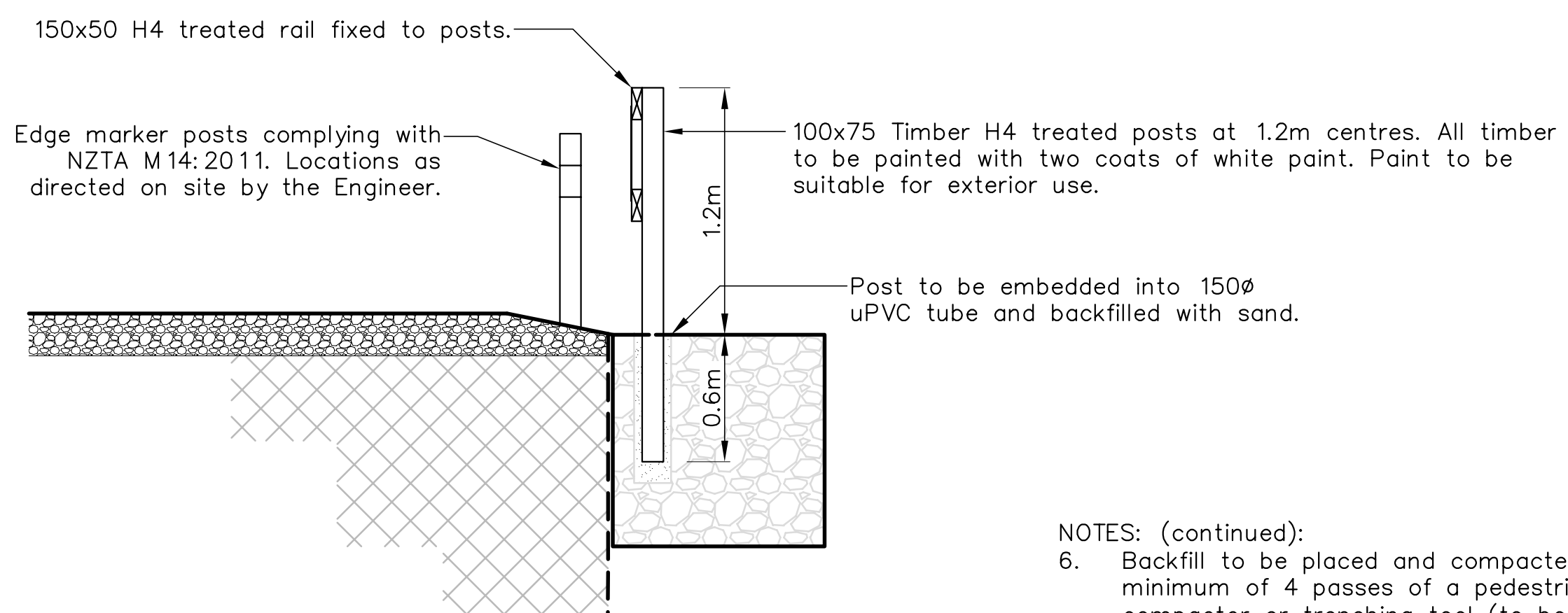
1. Type 2 soil has scala blow counts  $\geq 2$  blows / 50mm



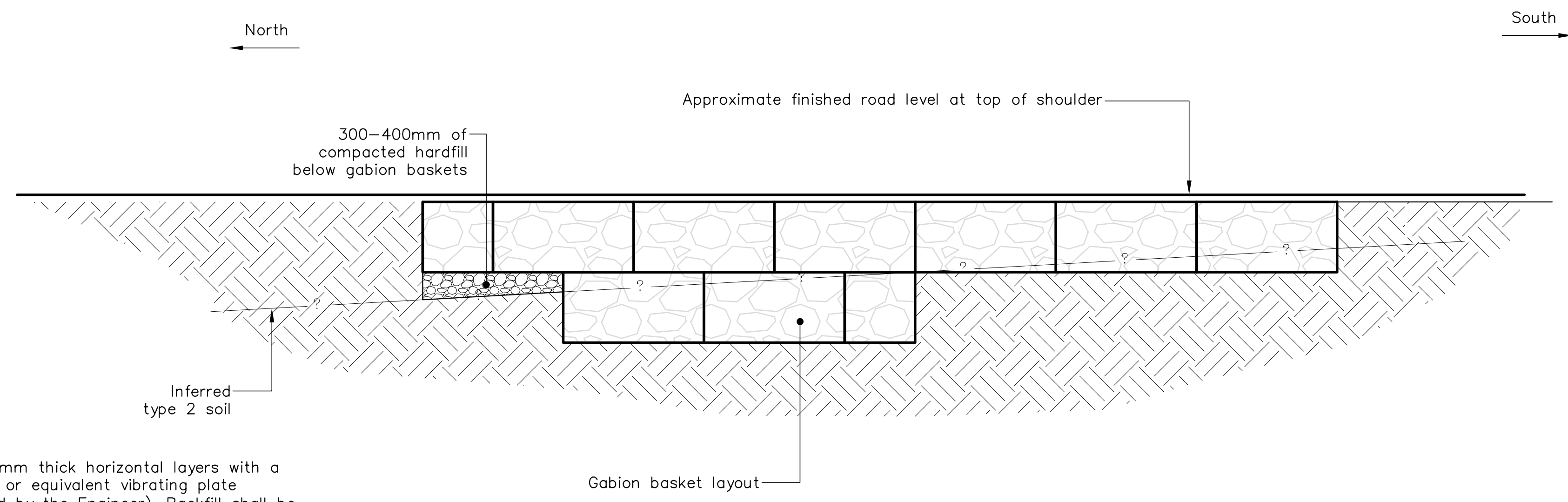
SECTION 1  
SCALE 1:50



SECTION 2  
SCALE 1:50



DETAIL A SIGHT RAIL  
SCALE 1:25



SITE 17 - FRONT ELEVATION  
SCALE 1:50

- NOTES: (continued):
- Backfill to be placed and compacted in 150mm thick horizontal layers with a minimum of 4 passes of a pedestrian roller or equivalent vibrating plate compactor or tamping tool (to be approved by the Engineer). Backfill shall be conditioned to appropriate moisture content. Care shall be taken to avoid excessive compaction pressures on the new retaining wall.
  - Gabion baskets to consist of wire that is Galvan and PVC coated or similar approved by the Engineer.
  - Gabion basket to be constructed in accordance with manufacturers specifications.
  - Gabion infill shall consist of 100-250mm rock as agreed by Engineer.
  - Fill and subbase compaction to be tested in accordance with the Specification prior to placing basecourse and chipseal.
  - Extent of chipseal to be agreed on site with the Engineer.
  - Existing gradient of carriageway to be established and projected to edge of seal to set level of edge of road. The top of the upper gabion basket is to be a maximum of 100mm below top of seal.
  - Contractor to provide As-Built Drawings and PS3 on completion of works.
  - Foundations for gabions on Type 1 or Type 2 soils to be min. 150 thick site concrete. All other foundations to be either min. 150 thick site concrete or compacted AP65 + 5% cement blinding layer to form level base. All surfaces to be rough and undulating. Hand form 50 wide shallow drainage channels in surface to fall at 2% toward downslope side at 2m c/c spacing extending under gabion basket.

<p>Nelson City Council te kaunihera o whakatū</p> <p>NETWORK SERVICES DEPARTMENT</p> <p>NCC Plan No. 19-0076</p>	<p>APPROVED</p> <p>EXECUTIVE MANAGER NETWORK SERVICES</p> <p>DATE: 15/4/2013</p>
	<p>19-0076</p>

DRAWING STATUS: TENDER ISSUE

DESIGNED :	DJA	Jul. 12
DRAWN :	DWM	Jul. 12
DESIGN CHECKED :		
DRAFTING CHECKED :		
CADFILE :	\\870982.1017-20.dwg	
APPROVED :		
<b>NOT FOR CONSTRUCTION</b>		
This drawing is not to be used for construction purposes unless signed as approved		
REVISION DESCRIPTION	BY	DATE
1 Consultation Issue	MPD	Nov. 12

NOTES :

- All dimensions are in millimetres unless noted otherwise.
- Coordinates are in terms of: Nelson 2000 Circuit (NZGD 2000 Datum). Levels are to NCC Datum.
- LiDAR contours and aerial photos supplied by : Nelson City Council.
- Property boundaries, services location and culvert location supplied by : Davis Ogilvie & Partners Ltd.
- Services and service locations shown on this plan are indicative only. Other services may be present but not shown on this plan. The Contractor shall be responsible for notifying, locating, protecting and relocating all services on the site.

REFERENCE :

**Tonkin & Taylor**  
Environmental and Engineering Consultants

43 Halifax St, Nelson  
Tel. (03) 546 6339 Fax. (03) 546 7619  
www.tonkin.co.nz

CLIENT, PROJECT	NELSON CITY COUNCIL CABLE BAY ROAD REMEDIATION	
TITLE	RETAINING WALL DESIGN - SITE 17 Section and Elevation	
SCALES (AT A1 SIZE)	DWG. No.	REV.
AS SHOWN	870982.1017-20	A

P:\070982\070982\_1017\WorkingFiles\CAD\070982\_1017-20.dwg, 20. 9/05/2013 10:41:34 a.m., caduser, AT: 1:1