

NELSON CITY COUNCIL

Cable Bay Road Remediation, Contract No: EC 3424

Tender Issue

DRAWING Rev Title

GENERAL INFORMATION - SITE 1B

- 870982.1001-B-00 A Location Plan and Drawing List
- 870982.1001-B-01 A Existing Site and Site Investigation Plan
- 870982.1001-B-02 A Working Areas & Erosion Sediment Control Plan

GABION BASKET RETAINING WALL - SITE 1B

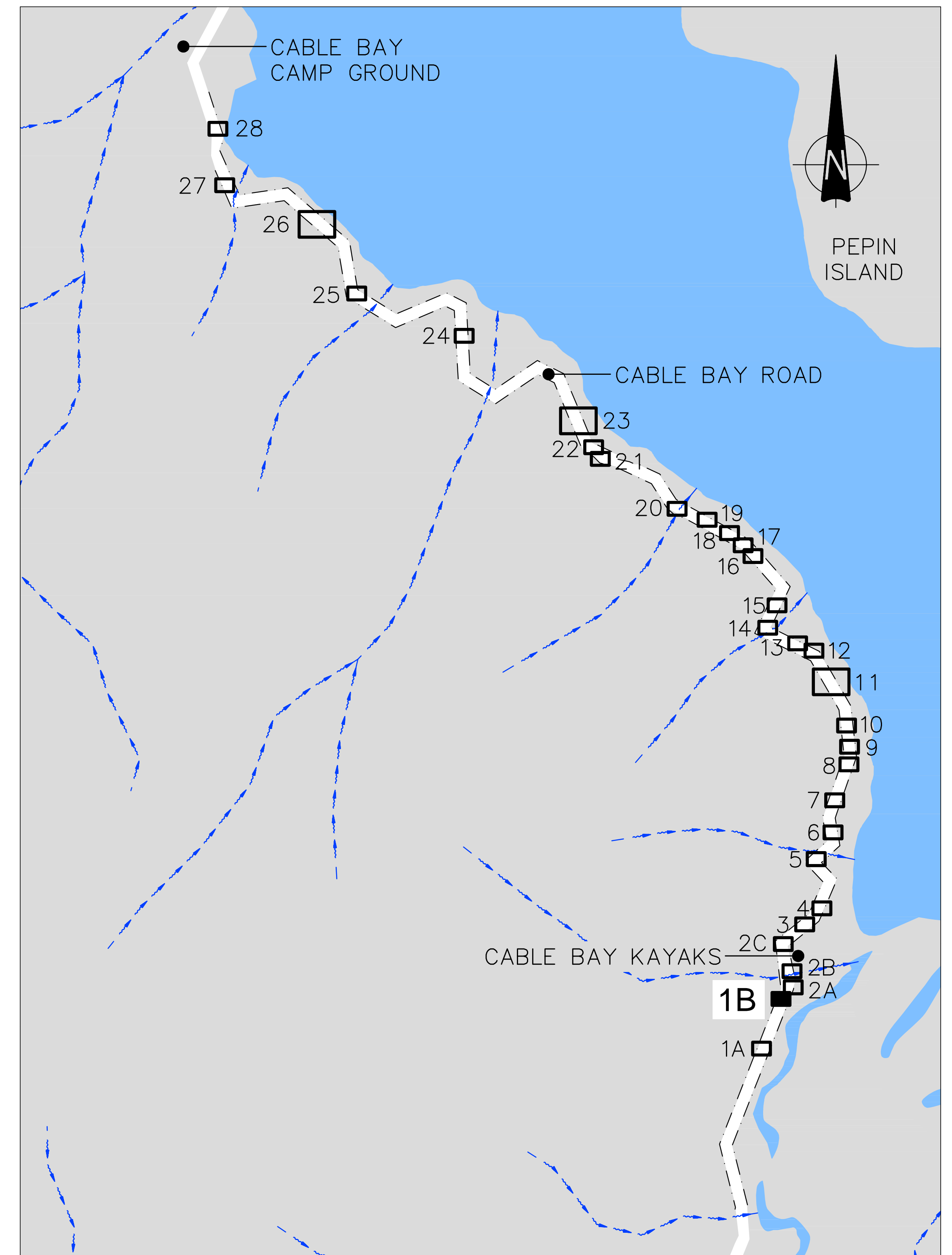
- 870982.1001-B-10 A General Arrangement
- 870982.1001-B-20 A Sections - Sheet 1 of 3
- 870982.1001-B-21 A Sections - Sheet 2 of 3
- 870982.1001-B-22 A Sections - Sheet 3 of 3
- 870982.1001-B-23 A Elevation
- 870982.1001-B-24 A Anchor Head Details

• Denotes drawing this issue: 08/05/2013



Topomap sourced from Land Information New Zealand data (Crown Copyright Reserved).

LOCALITY MAP
SCALE 1: 100,000



SITE LOCATION PLAN
SCALE 1: 5,000

<p>Nelson City Council te kaunihera o whakatū</p> <p>NETWORK SERVICES DEPARTMENT</p>	<p>APPROVED</p> <p>EXECUTIVE MANAGER NETWORK SERVICES</p>
	<p>DATE: 15/4/2013</p>
<p>NCC Plan No. 19-0076</p>	

DRAWING STATUS: TENDER ISSUE

DESIGNED :	DJA	Jul. 12
DRAWN :	DWM	Jul. 12
DESIGN CHECKED :		
DRAFTING CHECKED :		
CADFILE :	\\870982.1001B-00.dwg	
APPROVED :	NOT FOR CONSTRUCTION	
This drawing is not to be used for construction purposes unless signed as approved		
REVISION DESCRIPTION	BY	DATE
1 Consultation Issue	MPD	Nov. 12

NOTES :

REFERENCE :

Tonkin & Taylor
Environmental and Engineering Consultants

43 Halifax St, Nelson
Tel. (03) 546 6339 Fax. (03) 546 7619
www.tonkin.co.nz

CLIENT, PROJECT	NELSON CITY COUNCIL	
TITLE	CABLE BAY ROAD REMEDIATION	
TITLE	GENERAL INFORMATION - SITE 1B	
TITLE	Location Plan and Drawing List	
SCALES (AT A1 SIZE)	DWG. No.	REV.
AS SHOWN	870982.1001-B-00	A



LEGEND	
	Approximate edge of seal
	Property Boundary
	Landslip head scarp
	Existing contours (5m interval)
	Existing contours (0.5m interval)
	Fibre optic cable
	Stormwater Flow Path
	Existing Watercourse
	Existing Culvert Pipe
	SC Scala penetrometer test location
	DH1 Drillhole test location
	AH1 Machine auger hole location
	PH1 Fibre optic pothole location
	1000 Distance along road alignment (From State Highway 6 intersection)

A3 SCALE 1:200
 A1 SCALE 1:100

 Nelson City Council te kaunihera o whakatū NETWORK SERVICES DEPARTMENT	APPROVED EXECUTIVE MANAGER NETWORK SERVICES
	DATE: 15/4/2013 REV.
NCC Plan No. 19-0076	

DRAWING STATUS: TENDER ISSUE

DESIGNED :	DJA	Oct. 12
DRAWN :	DWM	Oct. 12
DESIGN CHECKED :		
DRAFTING CHECKED :		
CADFILE :	\\870982.1001B-01.dwg	
APPROVED :	NOT FOR CONSTRUCTION	
This drawing is not to be used for construction purposes unless signed as approved		
REVISION DESCRIPTION	BY	DATE
1 Consultation Issue	MPD	Nov. 12

NOTES :

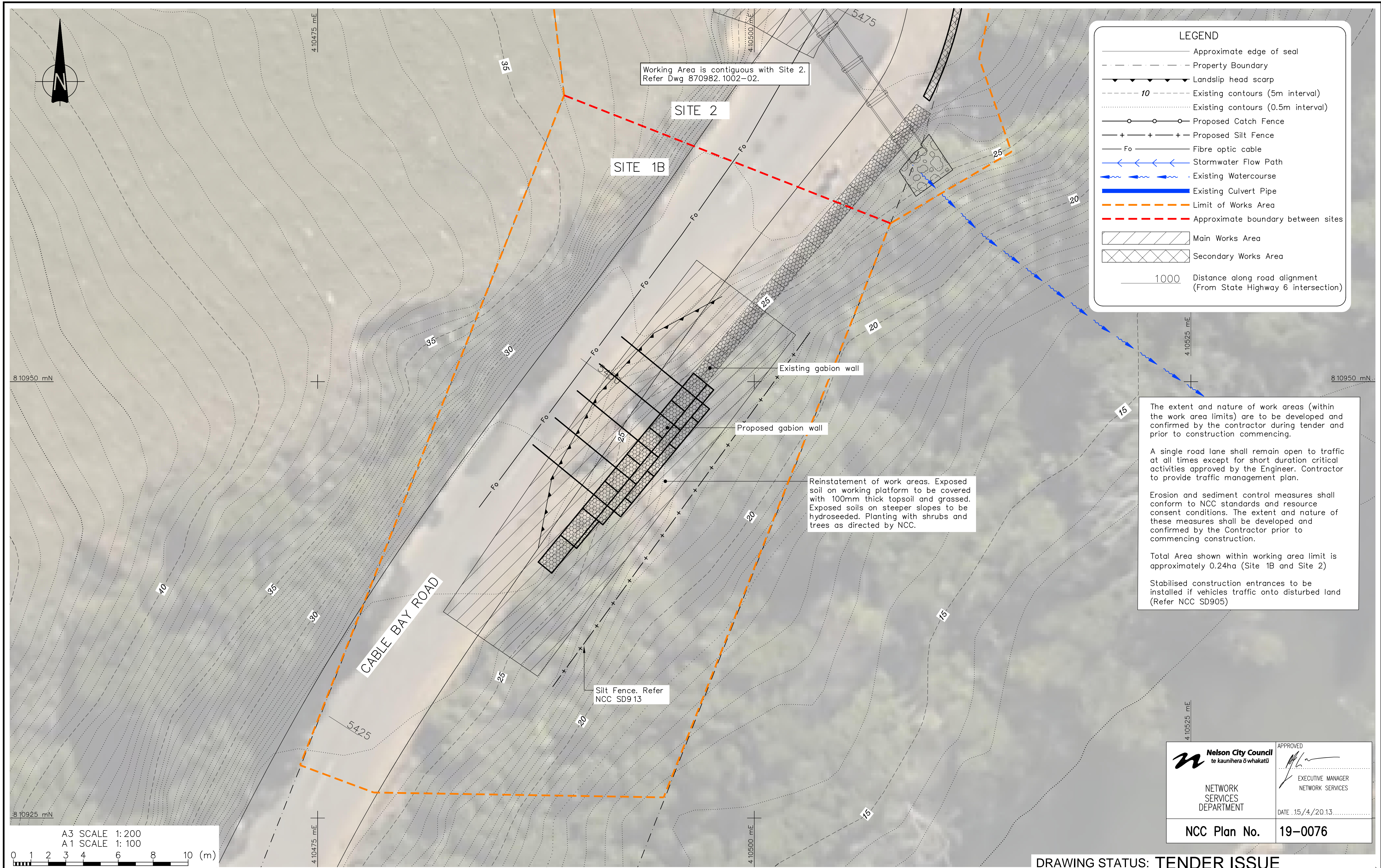
- Nelson Circuit (2000) coordinates. Levels to NCC Datum.
- The Contractor shall confirm the location/depth of all services prior to any excavation.
- All works shall comply with the latest version of the NCC Land Development Manual and all amendments.
- Works outside the reconstruction area shall be reinstated as per NCC Land Development Manual.
- Special care shall be taken to ensure there is no damage to fences and gardens on private property. Any damage is to be repaired promptly at the Contractor's cost.
- Property boundaries, services location and culvert location supplied by DOP Ltd.

REFERENCE : LiDAR contours and aerial photos supplied by NCC.

Tonkin & Taylor
 Environmental and Engineering Consultants
 43 Halifax St, Nelson
 Tel. (03) 546 6339 Fax. (03) 546 7619
 www.tonkin.co.nz

CLIENT, PROJECT	NELSON CITY COUNCIL	
	CABLE BAY ROAD REMEDIATION	
TITLE	GENERAL INFORMATION – SITE 1B	
	Existing Site and Site Investigation Plan	
SCALES (AT A1 SIZE)	DWG. No.	REV.
1:100	870982.1001-B-01	A

P:\870982\870982_1001\Workfiles\870982_1001B-01.dwg, 01:57:02/2013 9:31:45 am, caduser, AT: 1:1



LEGEND

- Approximate edge of seal
- - - Property Boundary
- ▲▲▲▲ Landslip head scarp
- - - 10 Existing contours (5m interval)
- Existing contours (0.5m interval)
- Proposed Catch Fence
- + - + - + Proposed Silt Fence
- Fo - Fibre optic cable
- ←←← Stormwater Flow Path
- ~ Existing Watercourse
- █ Existing Culvert Pipe
- Limit of Works Area
- - - Approximate boundary between sites
- ▨ Main Works Area
- ▩ Secondary Works Area
- 1000 Distance along road alignment (From State Highway 6 intersection)

The extent and nature of work areas (within the work area limits) are to be developed and confirmed by the contractor during tender and prior to construction commencing.

A single road lane shall remain open to traffic at all times except for short duration critical activities approved by the Engineer. Contractor to provide traffic management plan.

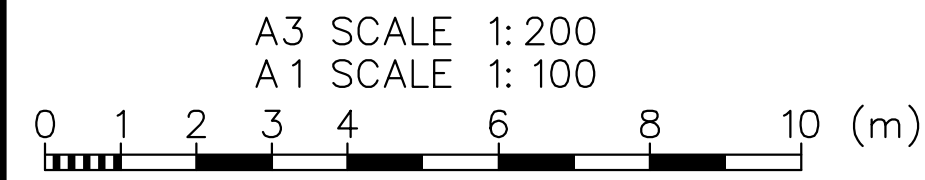
Erosion and sediment control measures shall conform to NCC standards and resource consent conditions. The extent and nature of these measures shall be developed and confirmed by the Contractor prior to commencing construction.

Total Area shown within working area limit is approximately 0.24ha (Site 1B and Site 2)

Stabilised construction entrances to be installed if vehicles traffic onto disturbed land (Refer NCC SD905)

Reinstatement of work areas. Exposed soil on working platform to be covered with 100mm thick topsoil and grassed. Exposed soils on steeper slopes to be hydroseeded. Planting with shrubs and trees as directed by NCC.

Working Area is contiguous with Site 2. Refer Dwg 870982.1002-02.



Nelson City Council
te kaunihera o whakatū

APPROVED

EXECUTIVE MANAGER
NETWORK SERVICES

DATE .15./4./20.13.

NCC Plan No. 19-0076

DRAWING STATUS: TENDER ISSUE

DESIGNED :	MPD	Nov. 12
DRAWN :	DJAA	Jan. 12
DESIGN CHECKED :		
DRAFTING CHECKED :		
CADFILE :	\\870982.1001B-02.dwg	
APPROVED :	NOT FOR CONSTRUCTION	
This drawing is not to be used for construction purposes unless signed as approved		
REVISION DESCRIPTION	BY	DATE
1 Consultation Issue	MRF	Nov. 12

NOTES :

- Nelson Circuit (2000) coordinates. Levels to NCC Datum.
- The Contractor shall confirm the location/depth of all services prior to any excavation.
- All works shall comply with the latest version of the NCC Land Development Manual and all amendments.
- Works outside the reconstruction area shall be reinstated as per NCC Land Development Manual.
- Special care shall be taken to ensure there is no damage to fences and gardens on private property. Any damage is to be repaired promptly at the Contractor's cost.
- Property boundaries, services location and culvert location supplied by DOP Ltd.

REFERENCE : LiDAR contours and aerial photos supplied by NCC.

Tonkin & Taylor
Environmental and Engineering Consultants

43 Halifax St, Nelson
Tel. (03) 546 6339 Fax. (03) 546 7619
www.tonkin.co.nz

CLIENT, PROJECT	NELSON CITY COUNCIL	
	CABLE BAY ROAD REMEDIATION	
TITLE	GENERAL INFORMATION - SITE 1B	
	Working Areas & Erosion Sediment Control Plan	
SCALES (AT A1 SIZE)	DWG. No.	REV.
1:100	870982.1001-B-02	A

P:\870982\870982_1001\WorkingArea\870982_1001B-02.dwg, 02/09/2013 9:32:01 a.m., caduser, A1:1



SETOUT

Point	Northing	Easting
1	8 10939.65mN	4 10487.64mE
2	8 10950.48mN	4 10496.53mE

<p>Nelson City Council te kaunihera o whakatū</p> <p>NETWORK SERVICES DEPARTMENT</p>	<p>APPROVED</p> <p>EXECUTIVE MANAGER NETWORK SERVICES</p>
	<p>DATE: 15/4/2013</p>
<p>NCC Plan No. 19-0076</p>	

DRAWING STATUS: TENDER ISSUE

A3 SCALE 1:200
A1 SCALE 1:100

DESIGNED :	DJA	Jul. 12
DRAWN :	DWM	Jul. 12
DESIGN CHECKED :		
DRAFTING CHECKED :		
CADFILE :	\\870982.1001B-10.dwg	
APPROVED :		
NOT FOR CONSTRUCTION		
This drawing is not to be used for construction purposes unless signed as approved		
REVISION DESCRIPTION	BY	DATE
1 Consultation Issue	MPD	Nov. 12

NOTES :

- Nelson Circuit (2000) coordinates. Levels to NCC Datum.
- The Contractor shall confirm the location/depth of all services prior to any excavation.
- All works shall comply with the latest version of the NCC Land Development Manual and all amendments.
- Works outside the reconstruction area shall be reinstated as per NCC Land Development Manual.
- Special care shall be taken to ensure there is no damage to fences and gardens on private property. Any damage is to be repaired promptly at the Contractor's cost.
- Property boundaries, services location and culvert location supplied by DOP Ltd.

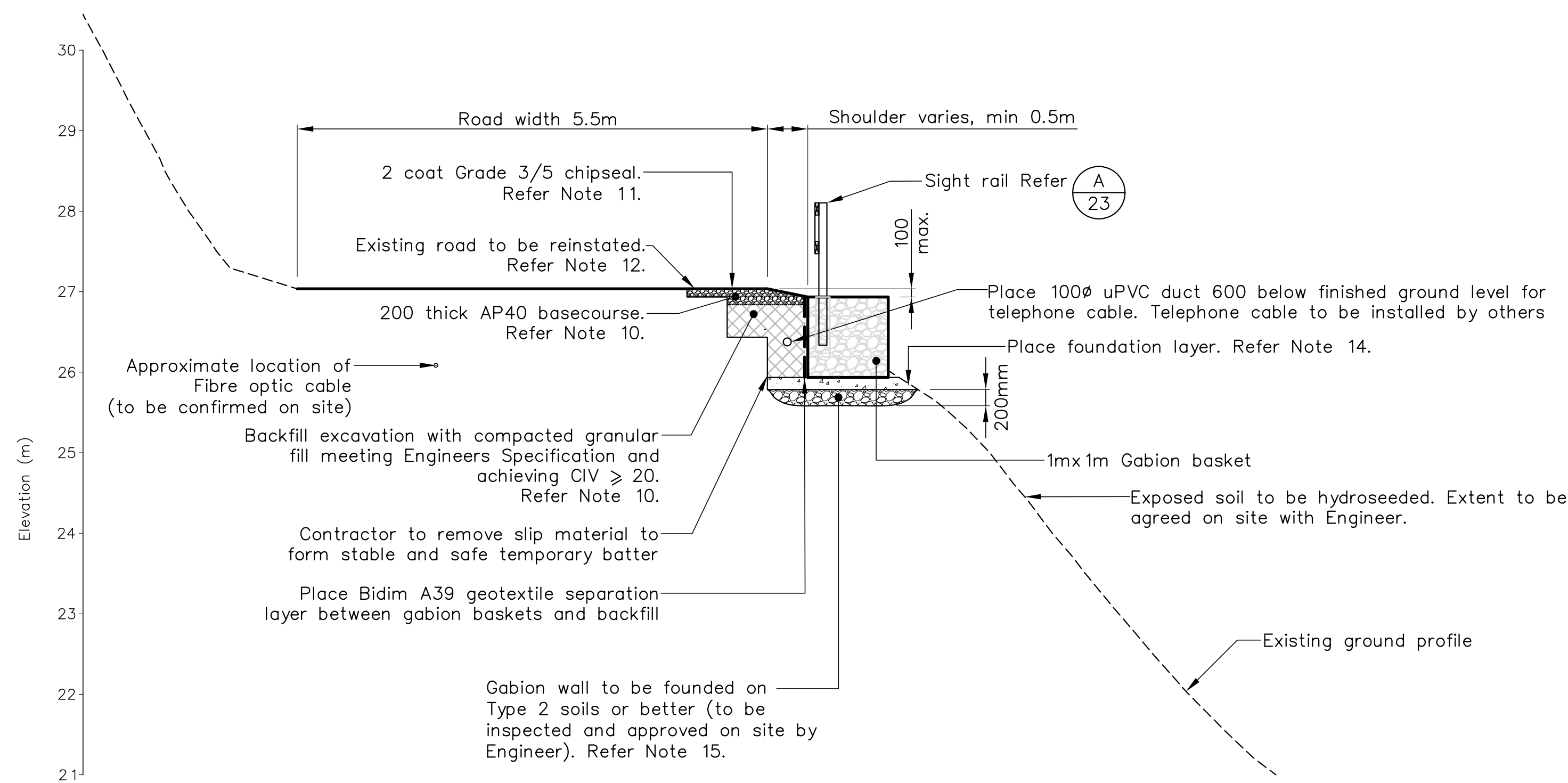
REFERENCE : LiDAR contours and aerial photos supplied by NCC.

Tonkin & Taylor
Environmental and Engineering Consultants

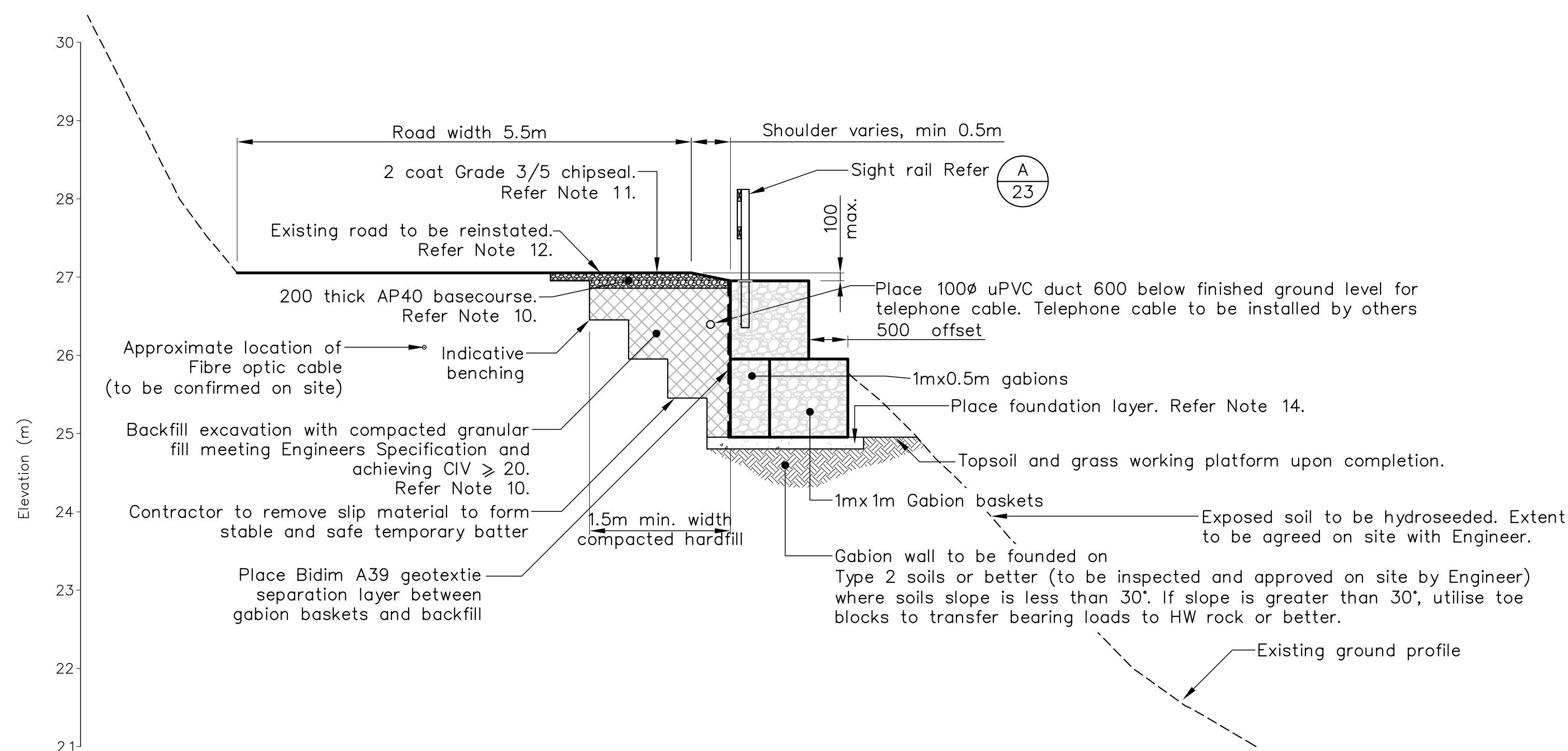
43 Halifax St, Nelson
Tel. (03) 546 6339 Fax. (03) 546 7619
www.tonkin.co.nz

CLIENT, PROJECT	NELSON CITY COUNCIL	
TITLE	CABLE BAY ROAD REMEDIATION	
TITLE	GABION BASKET RETAINING WALL – SITE 1B	
TITLE	General Arrangement	
SCALES (AT A1 SIZE)	DWG. No.	REV.
1:100	870982.1001-B-10	A

P:\870982\870982_1001\WorkingFiles\CAD\870982_1001B-10.dwg, 10/9/2013 9:33:30 am, caduser, A1:1



SECTION 1 1m HIGH WALL
SCALE 1:50



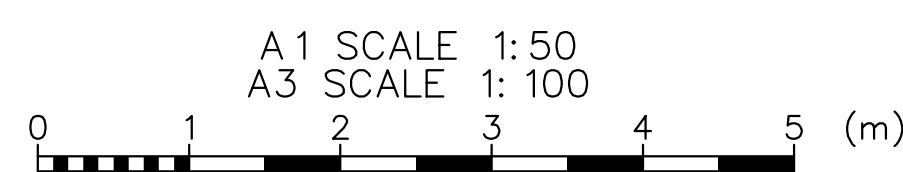
SECTION 2 2m HIGH WALL
SCALE 1:50

NOTES: (continued):

6. Backfill to be placed and compacted in 150mm thick horizontal layers with a minimum of 4 passes of a pedestrian roller or equivalent vibrating plate compactor or trenching tool (to be approved by the Engineer). Backfill shall be conditioned to appropriate moisture content. Care shall be taken to avoid excessive compaction pressures on the new retaining wall.
7. Gabion baskets to consist of wire that is Galvan and PVC coated or similar approved by the Engineer.
8. Gabion basket to be constructed in accordance with manufacturers specifications.
9. Gabion infill shall consist of 100-250mm rock as agreed by Engineer.
10. Fill and subbase compaction to be tested in accordance with the Specification prior to placing basecourse and chipseal.
11. Extent of chipseal to be agreed on site with the Engineer.
12. Existing gradient of carriageway to be established and projected to edge of seal to set level of edge of road. The top of the upper gabion basket is to be a maximum of 100mm below top of seal.
13. Contractor to provide As-Built Drawings and PS3 on completion of works.
14. Foundations for gabions on Type 1 or Type 2 soils to be min. 150 thick site concrete. All other foundations to be either min. 150 thick site concrete or compacted AP65 + 5% cement blinding layer to form level base. All surfaces to be rough and undulating. Hand form 50 wide shallow drainage channels in surface to fall at 2% toward downslope side at 2m c/c spacing extending under gabion basket.
15. 1m high gabion wall may be founded on Type 1 soils as directed by the Engineer. Foundation soils to be free of organic material. 200mm of Type 1 material to be undercut and replaced with compacted granular fill on Bidim A39 separation layer, with foundation layer above.

CONSTRUCTION NOTES:
 1. Type 1 soil has scala blow counts > 1 blows / 50mm
 2. Type 2 soil has scala blow counts > 2 blows / 50mm

<p>Nelson City Council te kaunihera o whakatū</p> <p>NETWORK SERVICES DEPARTMENT</p>	<p>APPROVED</p> <p>EXECUTIVE MANAGER NETWORK SERVICES</p>
	<p>DATE: 15/4/2013</p>
<p>NCC Plan No. 19-0076</p>	



DRAWING STATUS: TENDER ISSUE

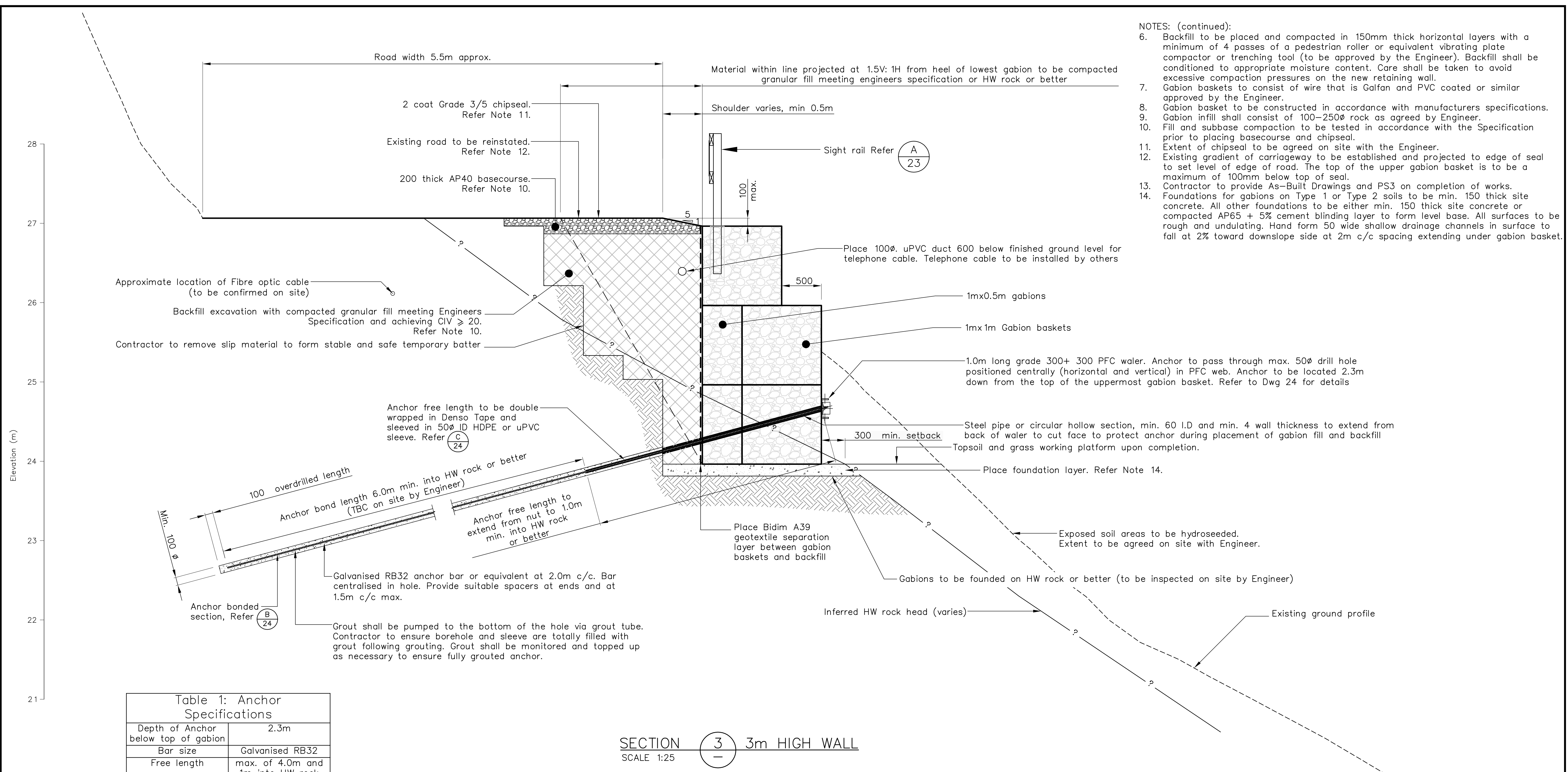
DESIGNED :	DJA	Jul. 12
DRAWN :	DWM	Jul. 12
DESIGN CHECKED :		
DRAFTING CHECKED :		
CADFILE :	\\870982.1001B-20_23.dwg	
APPROVED :		
NOT FOR CONSTRUCTION		
This drawing is not to be used for construction purposes unless signed as approved		
REVISION DESCRIPTION	BY	DATE
1 Consultation Issue	MPD	Nov. 12

NOTES :

1. All dimensions are in millimetres unless noted otherwise.
2. Coordinates are in terms of: Nelson 2000 Circuit (NZGD 2000 Datum). Levels are to NCC Datum.
3. LiDAR contours and aerial photos supplied by: Nelson City Council.
4. Property boundaries, services location and culvert location supplied by: Davis Ogilvie & Partners Ltd.
5. Services and service locations shown on this plan are indicative only. Other services may be present but not shown on this plan. The Contractor shall be responsible for notifying, locating, protecting and relocating all services on the site.

REFERENCE :

<p>Tonkin & Taylor Environmental and Engineering Consultants</p> <p>43 Halifax St, Nelson Tel. (03) 546 6339 Fax. (03) 546 7619 www.tonkin.co.nz</p>	<p>CLIENT, PROJECT</p> <p>NELSON CITY COUNCIL CABLE BAY ROAD REMEDIATION</p>
	<p>TITLE</p> <p>GABION BASKET RETAINING WALL – SITE 1B Sections – Sheet 1 of 3</p>
<p>SCALES (AT A1 SIZE)</p> <p>1:50</p>	<p>DWG. No.</p> <p>870982.1001B-20</p>
<p>REV.</p> <p>A</p>	



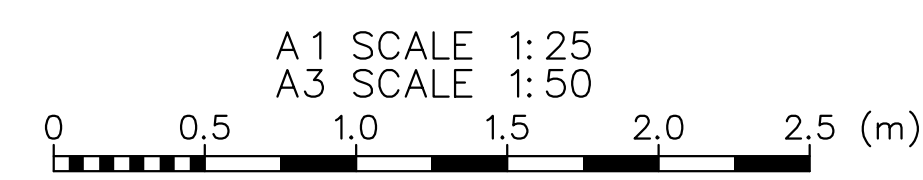
- NOTES: (continued):
- Backfill to be placed and compacted in 150mm thick horizontal layers with a minimum of 4 passes of a pedestrian roller or equivalent vibrating plate compactor or trenching tool (to be approved by the Engineer). Backfill shall be conditioned to appropriate moisture content. Care shall be taken to avoid excessive compaction pressures on the new retaining wall.
 - Gabion baskets to consist of wire that is Galfan and PVC coated or similar approved by the Engineer.
 - Gabion basket to be constructed in accordance with manufacturers specifications.
 - Gabion infill shall consist of 100-250mm rock as agreed by Engineer.
 - Fill and subbase compaction to be tested in accordance with the Specification prior to placing basecourse and chipseal.
 - Extent of chipseal to be agreed on site with the Engineer.
 - Existing gradient of carriageway to be established and projected to edge of seal to set level of edge of road. The top of the upper gabion basket is to be a maximum of 100mm below top of seal.
 - Contractor to provide As-Built Drawings and PS3 on completion of works.
 - Foundations for gabions on Type 1 or Type 2 soils to be min. 150 thick site concrete. All other foundations to be either min. 150 thick site concrete or compacted AP65 + 5% cement blinding layer to form level base. All surfaces to be rough and undulating. Hand form 50 wide shallow drainage channels in surface to fall at 2% toward downslope side at 2m c/c spacing extending under gabion basket.

Table 1: Anchor Specifications

Depth of Anchor below top of gabion	2.3m
Bar size	Galvanised RB32
Free length	max. of 4.0m and 1m into HW rock
Bonded length	6.0m
Inclination	15°
Min. hole Diameter	100mm
Static working load	40kN
Seismic load	180kN

NOTE: Anchors to be tested in accordance with the specification

SECTION 3 3m HIGH WALL
SCALE 1:25



Nelson City Council
te kaunihera o whakatū

APPROVED
[Signature]
EXECUTIVE MANAGER
NETWORK SERVICES

DATE: 15/4/2013

NCC Plan No. 19-0076

DRAWING STATUS: TENDER ISSUE

DESIGNED :	DJA	Jul. 12
DRAWN :	DWM	Jul. 12
DESIGN CHECKED :		
DRAFTING CHECKED :		
CADFILE :	\\870982.1001B-20_23.dwg	
APPROVED :	NOT FOR CONSTRUCTION	
This drawing is not to be used for construction purposes unless signed as approved		
REVISION DESCRIPTION	BY	DATE
1 Consultation Issue	MPD	Nov. 12

NOTES :

- All dimensions are in millimetres unless noted otherwise.
- Coordinates are in terms of: Nelson 2000 Circuit (NZGD 2000 Datum). Levels are to NCC Datum.
- LiDAR contours and aerial photos supplied by: Nelson City Council.
- Property boundaries, services location and culvert location supplied by: Davis Ogilvie & Partners Ltd.
- Services and service locations shown on this plan are indicative only. Other services may be present but not shown on this plan. The Contractor shall be responsible for notifying, locating, protecting and relocating all services on the site.

REFERENCE :

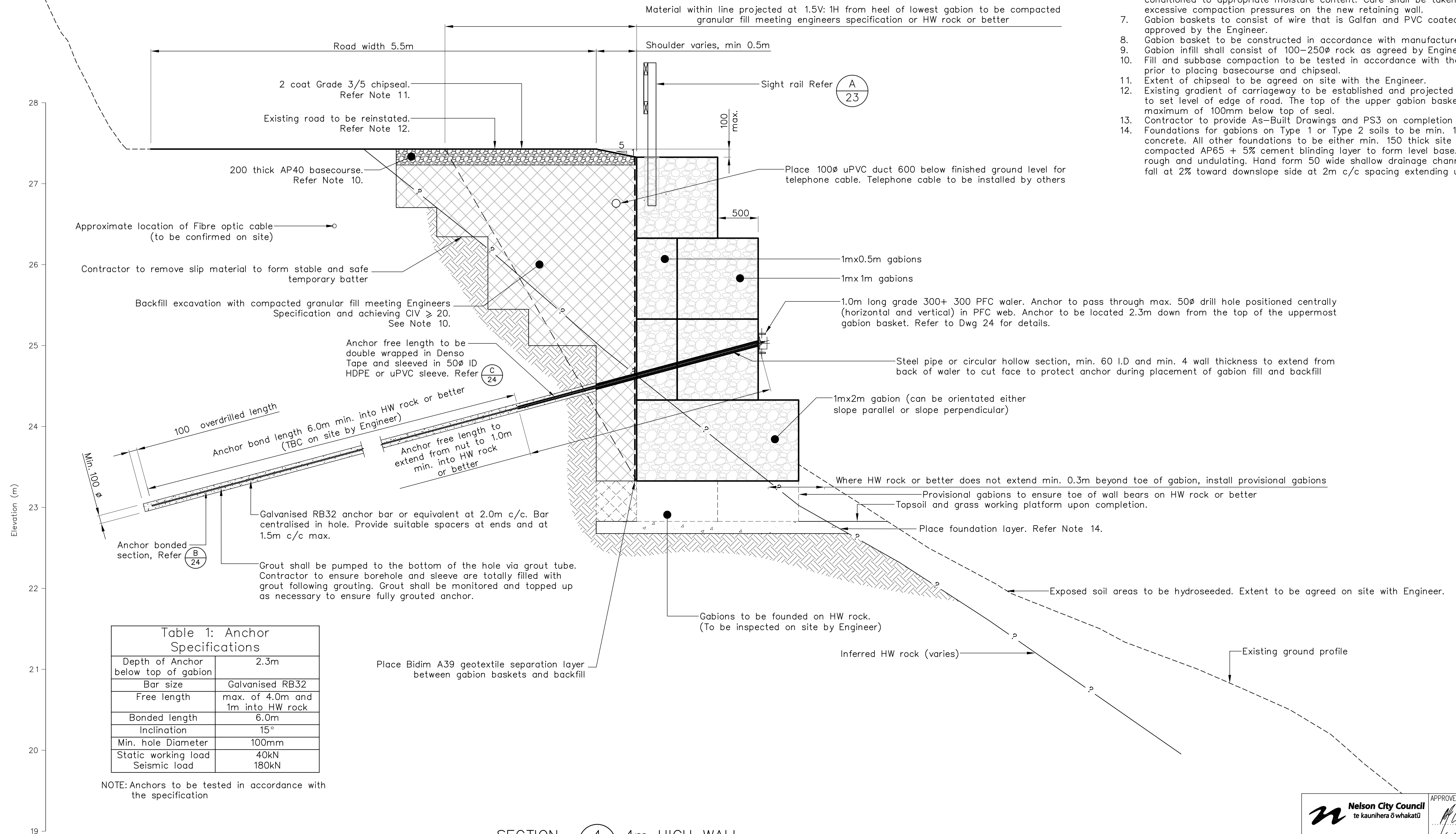
Tonkin & Taylor
Environmental and Engineering Consultants

43 Halifax St, Nelson
Tel. (03) 546 6339 Fax. (03) 546 7619
www.tonkin.co.nz

CLIENT, PROJECT	NELSON CITY COUNCIL	
	CABLE BAY ROAD REMEDIATION	
TITLE	GABION BASKET RETAINING WALL – SITE 1B	
	Sections – Sheet 2 of 3	
SCALES (AT A1 SIZE)	DWG. No.	REV.
1:25	870982.1001B-21	A

P:\070982\070982_1001\Working\070982_1001B-20_23.dwg, 21, 9/12/2013 9:33:36 a.m., caduser, A1, 1:1

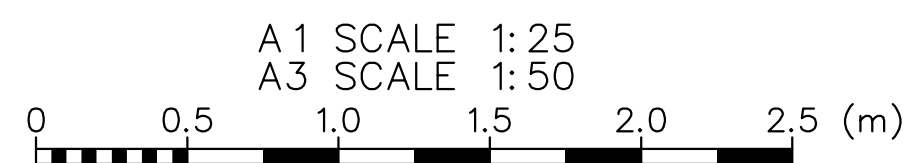
- NOTES: (continued):
- Backfill to be placed and compacted in 150mm thick horizontal layers with a minimum of 4 passes of a pedestrian roller or equivalent vibrating plate compactor or trenching tool (to be approved by the Engineer). Backfill shall be conditioned to appropriate moisture content. Care shall be taken to avoid excessive compaction pressures on the new retaining wall.
 - Gabion baskets to consist of wire that is Galvan and PVC coated or similar approved by the Engineer.
 - Gabion basket to be constructed in accordance with manufacturers specifications.
 - Gabion infill shall consist of 100-250 ϕ rock as agreed by Engineer.
 - Fill and subbase compaction to be tested in accordance with the Specification prior to placing basecourse and chipseal.
 - Extent of chipseal to be agreed on site with the Engineer.
 - Existing gradient of carriageway to be established and projected to edge of seal to set level of edge of road. The top of the upper gabion basket is to be a maximum of 100mm below top of seal.
 - Contractor to provide As-Built Drawings and PS3 on completion of works.
 - Foundations for gabions on Type 1 or Type 2 soils to be min. 150 thick site concrete. All other foundations to be either min. 150 thick site concrete or compacted AP65 + 5% cement blinding layer to form level base. All surfaces to be rough and undulating. Hand form 50 wide shallow drainage channels in surface to fall at 2% toward downslope side at 2m c/c spacing extending under gabion basket.



Depth of Anchor below top of gabion	2.3m
Bar size	Galvanised RB32
Free length	max. of 4.0m and 1m into HW rock
Bonded length	6.0m
Inclination	15°
Min. hole Diameter	100mm
Static working load	40kN
Seismic load	180kN

NOTE: Anchors to be tested in accordance with the specification

SECTION 4 10 4m HIGH WALL
SCALE 1:25



<p>Nelson City Council te kaunihera o whakatū</p> <p>NETWORK SERVICES DEPARTMENT</p>	<p>APPROVED</p> <p>EXECUTIVE MANAGER NETWORK SERVICES</p>
	<p>DATE: 15/4/2013</p>
<p>NCC Plan No. 19-0076</p>	

DRAWING STATUS: TENDER ISSUE

DESIGNED :	DJA	Jul. 12
DRAWN :	DWM	Jul. 12
DESIGN CHECKED :		
DRAFTING CHECKED :		
CADFILE :	\\870982.1001B-20_23.dwg	
APPROVED :		
<p>NOT FOR CONSTRUCTION</p> <p>This drawing is not to be used for construction purposes unless signed as approved</p>		
REVISION DESCRIPTION	BY	DATE
1 Consultation Issue	MPD	Nov. 12

NOTES :

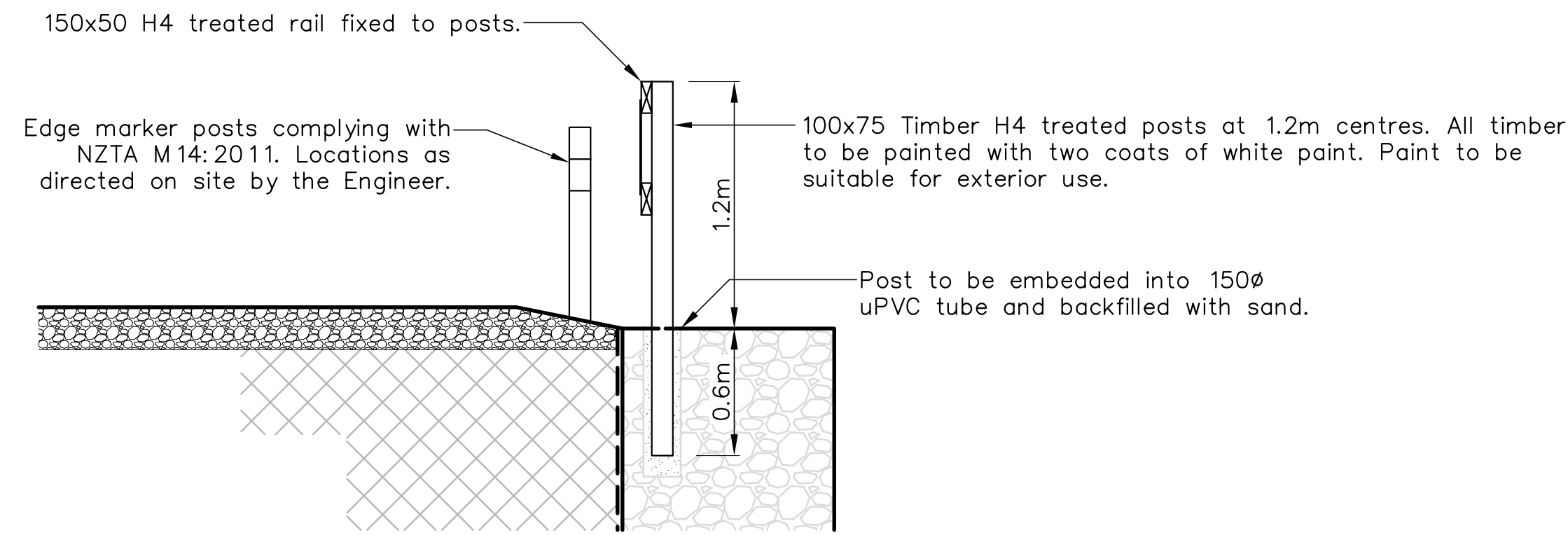
- All dimensions are in millimetres unless noted otherwise.
- Coordinates are in terms of: Nelson 2000 Circuit (NZGD 2000 Datum). Levels are to NCC Datum.
- LiDAR contours and aerial photos supplied by: Nelson City Council.
- Property boundaries, services location and culvert location supplied by: Davis Ogilvie & Partners Ltd.
- Services and service locations shown on this plan are indicative only. Other services may be present but not shown on this plan. The Contractor shall be responsible for notifying, locating, protecting and relocating all services on the site.

REFERENCE :

Tonkin & Taylor
Environmental and Engineering Consultants

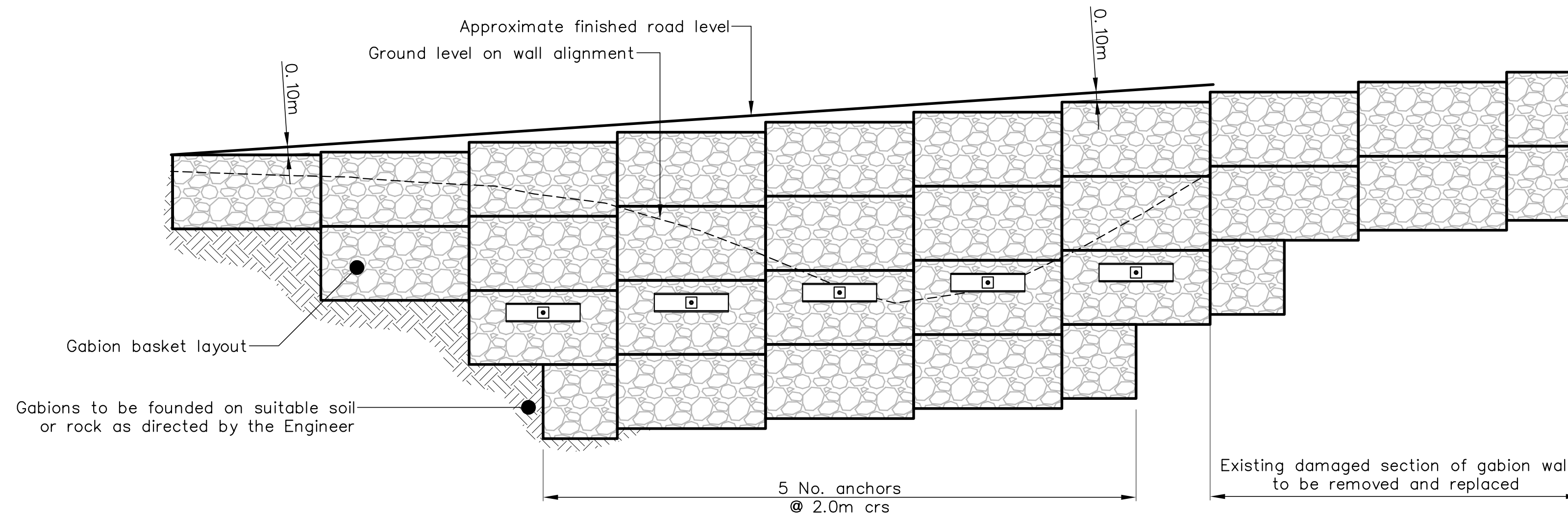
43 Halifax St, Nelson
Tel. (03) 546 6339 Fax. (03) 546 7619
www.tonkin.co.nz

CLIENT, PROJECT	NELSON CITY COUNCIL CABLE BAY ROAD REMEDIATION	
TITLE	GABION BASKET RETAINING WALL – SITE 1B Sections – Sheet 3 of 3	
SCALES (AT A1 SIZE)	1:25	DWG. No. 870982.1001B-22
REV.	A	

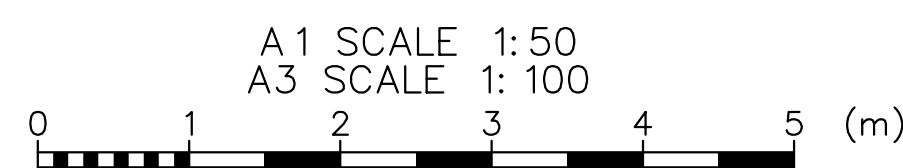


DETAIL A SIGHT RAIL
SCALE 1:25

- NOTES: (continued):
- Backfill to be placed and compacted in 150mm thick horizontal layers with a minimum of 4 passes of a pedestrian roller or equivalent vibrating plate compactor or trenching tool (to be approved by the Engineer). Backfill shall be conditioned to appropriate moisture content. Care shall be taken to avoid excessive compaction pressures on the new retaining wall.
 - Gabion baskets to consist of wire that is Galvan and PVC coated or similar approved by the Engineer.
 - Gabion basket to be constructed in accordance with manufacturers specifications.
 - Gabion infill shall consist of 100–250 ϕ rock as agreed by Engineer.
 - Fill and subbase compaction to be tested in accordance with the Specification prior to placing basecourse and chipseal.
 - Extent of chipseal to be agreed on site with the Engineer.
 - Existing gradient of carriageway to be established and projected to edge of seal to set level of edge of road. The top of the upper gabion basket is to be a maximum of 100mm below top of seal.
 - Contractor to provide As-Built Drawings and PS3 on completion of works.
 - Foundations for gabions on Type 1 or Type 2 soils to be min. 150 thick site concrete. All other foundations to be either min. 150 thick site concrete or compacted AP65 + 5% cement binding layer to form level base. All surfaces to be rough and undulating. Hand form 50 wide shallow drainage channels in surface to fall at 2% toward downslope side at 2m c/c spacing extending under gabion basket.



SITE 1B – FRONT ELEVATION
SCALE 1:50



<p>Nelson City Council te kaunihera o whakatū</p> <p>NETWORK SERVICES DEPARTMENT</p>	<p>APPROVED</p> <p>EXECUTIVE MANAGER NETWORK SERVICES</p>
	<p>DATE: 15/4/2013</p>
<p>NCC Plan No. 19-0076</p>	

DRAWING STATUS: TENDER ISSUE

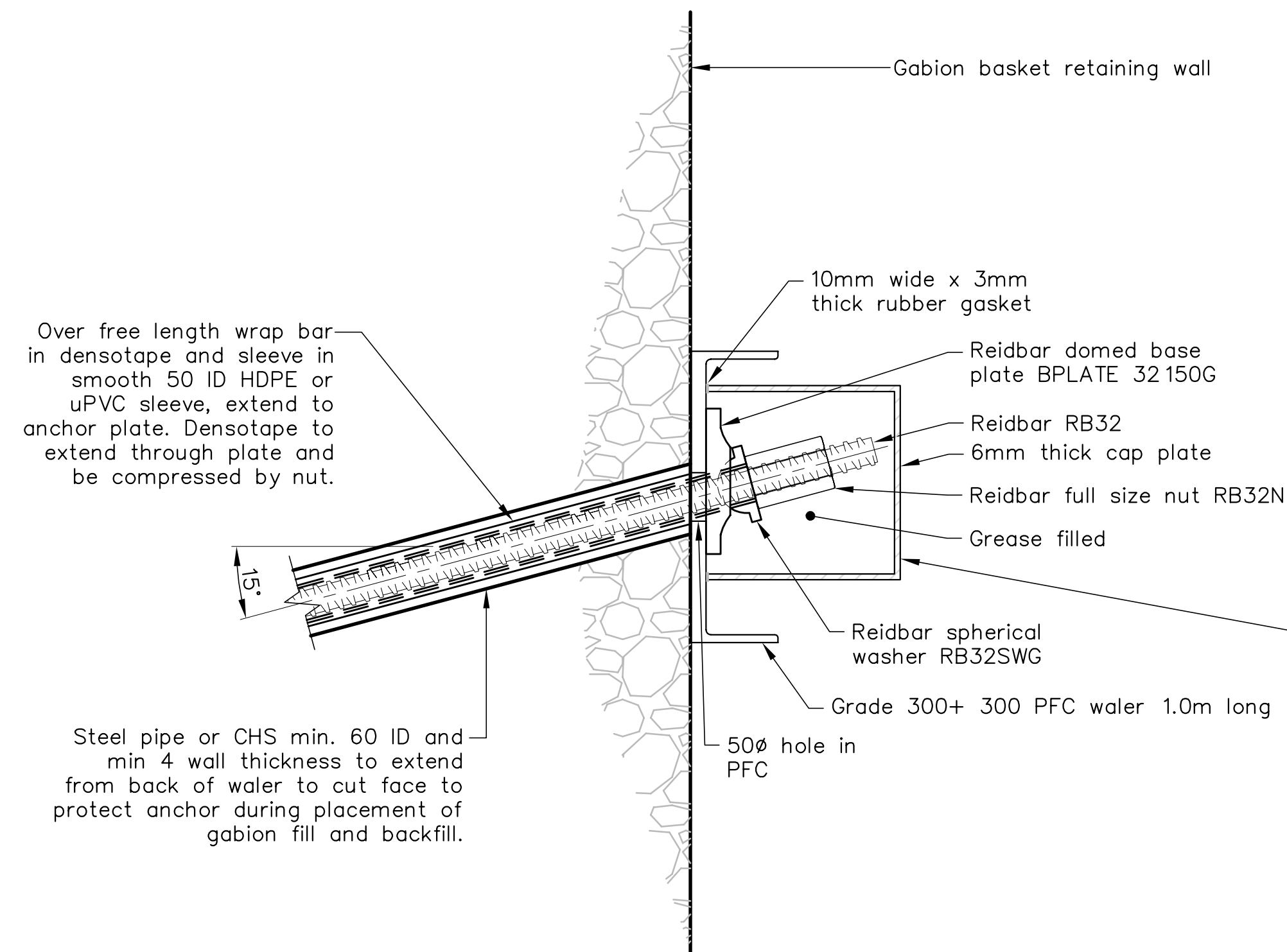
DESIGNED :	DJA	Jul. 12
DRAWN :	DWM	Jul. 12
DESIGN CHECKED :		
DRAFTING CHECKED :		
CADFILE :	\\870982.1001B-20_23.dwg	
APPROVED :		
NOT FOR CONSTRUCTION		
This drawing is not to be used for construction purposes unless signed as approved		
REVISION DESCRIPTION	BY	DATE
1 Consultation Issue	MPD	Nov. 12
COPYRIGHT ON THIS DRAWING IS RESERVED		

- NOTES :
- All dimensions are in millimetres unless noted otherwise.
 - Coordinates are in terms of: Nelson 2000 Circuit (NZGD 2000 Datum). Levels are to NCC Datum.
 - LiDAR contours and aerial photos supplied by: Nelson City Council.
 - Property boundaries, services location and culvert location supplied by: Davis Ogilvie & Partners Ltd.
 - Services and service locations shown on this plan are indicative only. Other services may be present but not shown on this plan. The Contractor shall be responsible for notifying, locating, protecting and relocating all services on the site.
- REFERENCE :

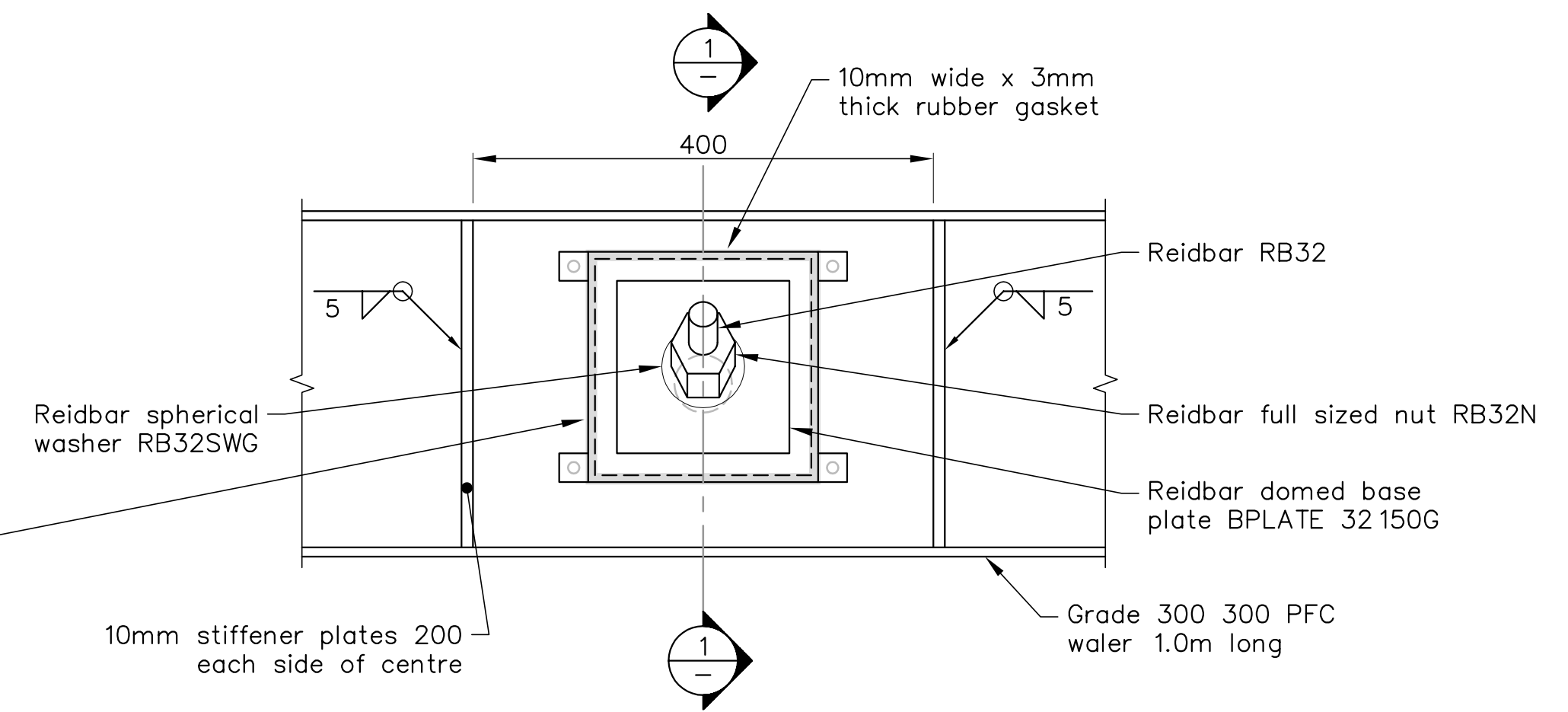
Tonkin & Taylor
Environmental and Engineering Consultants

43 Halifax St, Nelson
Tel. (03) 546 6339 Fax. (03) 546 7619
www.tonkin.co.nz

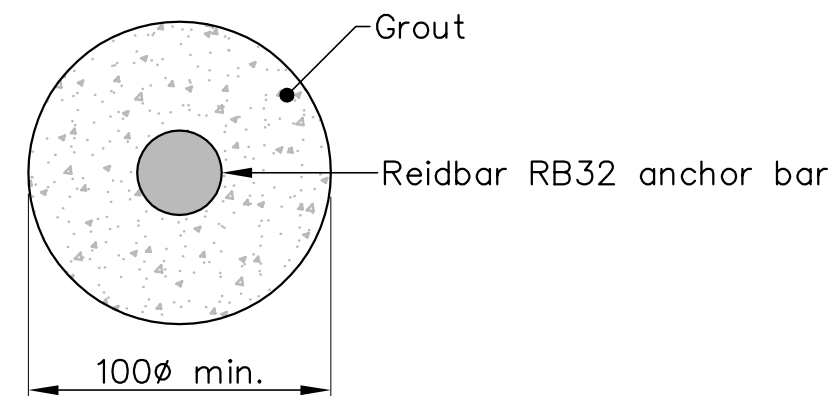
CLIENT, PROJECT	NELSON CITY COUNCIL CABLE BAY ROAD REMEDIATION		
TITLE	GABION BASKET RETAINING WALL – SITE 1B Elevation		
SCALES (AT A1 SIZE)	AS SHOWN	DWG. No.	870982.1001B-23
REV.	A		



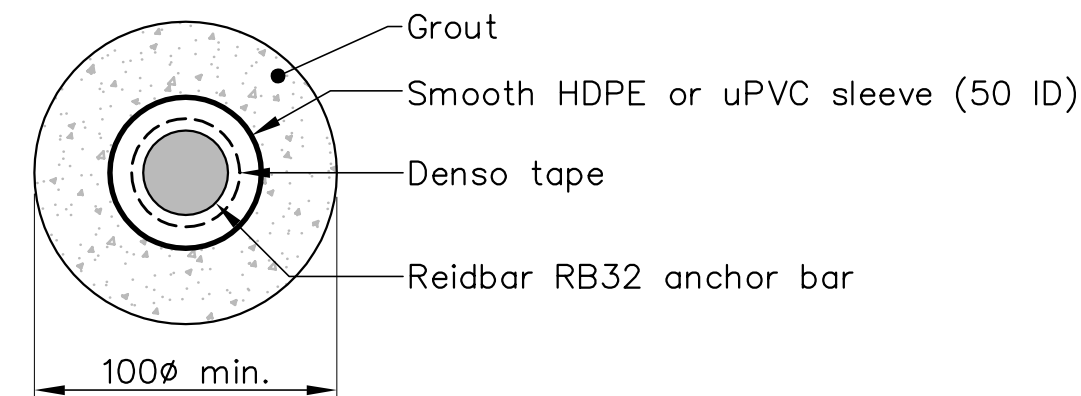
SECTION 1 ANCHOR HEAD DETAIL
SCALE 1:5



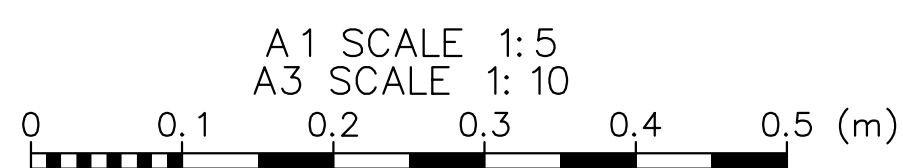
DETAIL A ANCHOR HEAD DETAIL
SCALE 1:5



DETAIL B ANCHOR BONDED LENGTH
SCALE 1:NTS



DETAIL C ANCHOR FREE LENGTH
SCALE 1:NTS



NOTES CONTINUED:

- All steel work to be hot dip galvanised H.D.G 600 or materials sprayed with TSZ 150 including drill hole surface areas.
- All dimensions in millimetres unless stated otherwise.

NOTES :

- Nelson Circuit (2000) coordinates. Levels to NCC Datum.
- The Contractor shall confirm the location/depth of all services prior to any excavation.
- All works shall comply with the latest version of the NCC Land Development Manual and all amendments.
- Works outside the reconstruction area shall be reinstated as per NCC Land Development Manual.
- Special care shall be taken to ensure there is no damage to fences and gardens on private property. Any damage is to be repaired promptly at the Contractor's cost.
- Property boundaries, services location and culvert location supplied by DOP Ltd.

REFERENCE : LiDAR contours and aerial photos supplied by NCC.

 Nelson City Council te kaunihera o whakatū NETWORK SERVICES DEPARTMENT	APPROVED EXECUTIVE MANAGER NETWORK SERVICES
	DATE : 15/4/2013
NCC Plan No.	19-0076

DRAWING STATUS: TENDER ISSUE

DESIGNED :	DJA	Nov.12
DRAWN :	DWM	Nov.12
DESIGN CHECKED :		
DRAFTING CHECKED :		
CADFILE :	\\870982.1001B-24.dwg	
APPROVED :	NOT FOR CONSTRUCTION	
This drawing is not to be used for construction purposes unless signed as approved		
REVISION DESCRIPTION	BY	DATE
1 Consultation Issue	MPD	Nov.12

Tonkin & Taylor
 Environmental and Engineering Consultants

 43 Halifax St, Nelson
 Tel. (03) 546 6339 Fax. (03) 546 7619
 www.tonkin.co.nz

CLIENT, PROJECT	NELSON CITY COUNCIL CABLE BAY ROAD REMEDIATION	
TITLE	GABION BASKET RETAINING WALL – SITE 1B Anchor Head Details	
SCALES (AT A1 SIZE)	DWG. No.	REV.
AS SHOWN	870982.1001-B-24	A